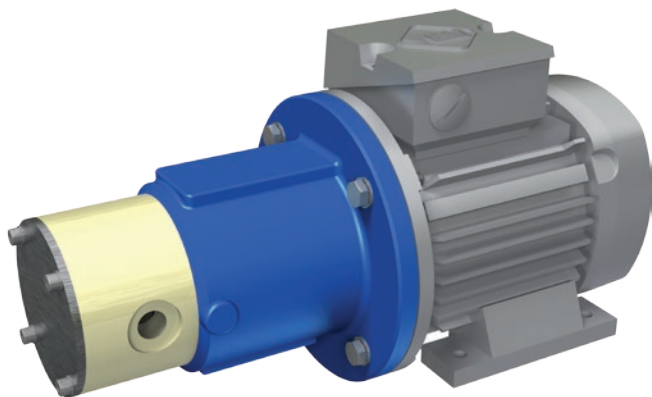


MAGNETICALLY COUPLED ROTARY SLIDING VANE PUMP

Series VANE-MAG MP

MP 114 - 514



PERFORMANCE DATA

Nominal speed:	1450 1/min / 1750 1/min
Nominal frequency:	50 Hz / 60Hz
Nominal flow rate:	
MP 114:	160 l/h / 200 l/h (52,83 US gph)
MP 214:	230 l/h / 280 l/h (73,97 US gph)
MP 314:	290 l/h / 380 l/h (100,39 US gph)
MP 414:	400 l/h / 495 l/h (130,77 US gph)
MP 514:	480 l/h / 585 l/h (154,54 US gph)
Discharge pressure, max:	5 bar (72,52 psi)
Design pressure:	PN 6 bar (87,2 psi)
Temperature, max.:	65°C (149°F)
Viscosity, max.:	1000 mPa s
Density, max.:	1,9 kg/dm ³

APPLICATIONS

The VANE-MAG® sliding vane pumps have proven their performance in every application that requires lower flow rates at high discharge pressure, when corrosive liquids must be metered.

Typical Applications:

- Water treatment especially precipitation, flocculation, sedimentation and neutralisation
- Metering pump in Biodiesel production
- Metering pump in laboratory environments
- Chemical dosing / metering applications
- Plant Engineering
- Equipment Engineering
- Pharmaceutical-, Medical-, Bio- Engineering

MATERIALS

Housing:	Polypropylene, PVDF
O-Rings:	EPDM, Viton, Kalrez
Rotor:	PVDF-FCR
Stator, Vanes.:	Phenoli Resin Carbon-Graphite
Bearings:	SiC

CONNECTIONS

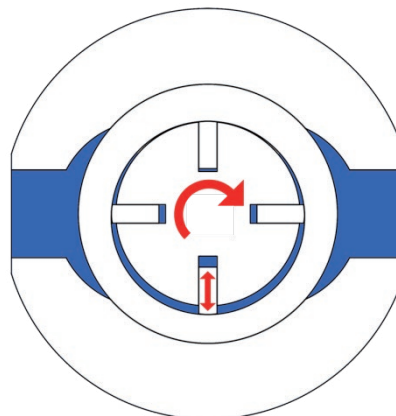
Threads:	G3/8" female, 1/2" NPT female
Lap Joint Flanges:	DN15 PN10, 1/2" ANSI

DESIGN FEATURES

- Rotating positive displacement pump
- Sliding Vane Pump
- Corrosion resistant due to non-metallic materials
- Magnetically coupled
- Leak-Free
- Rugged
- Wet self-priming
- Compact block design
- Approximately no pulsation
- Middle to high discharge pressure
- Low capacity flow rates
- Metering capable

PRODUCT DESCRIPTION

MARCH Series: VANE-MAG® MP pumps are rotary positive displacement pumps, magnetically coupled and made of non-metallic materials. Characteristic wise, rotary sliding vane pumps generate low volumetric flows with middle to high discharge pressures and approximately no pulsation. The operating principle is based on radial sliding vanes, which are rotating in an eccentric stator.



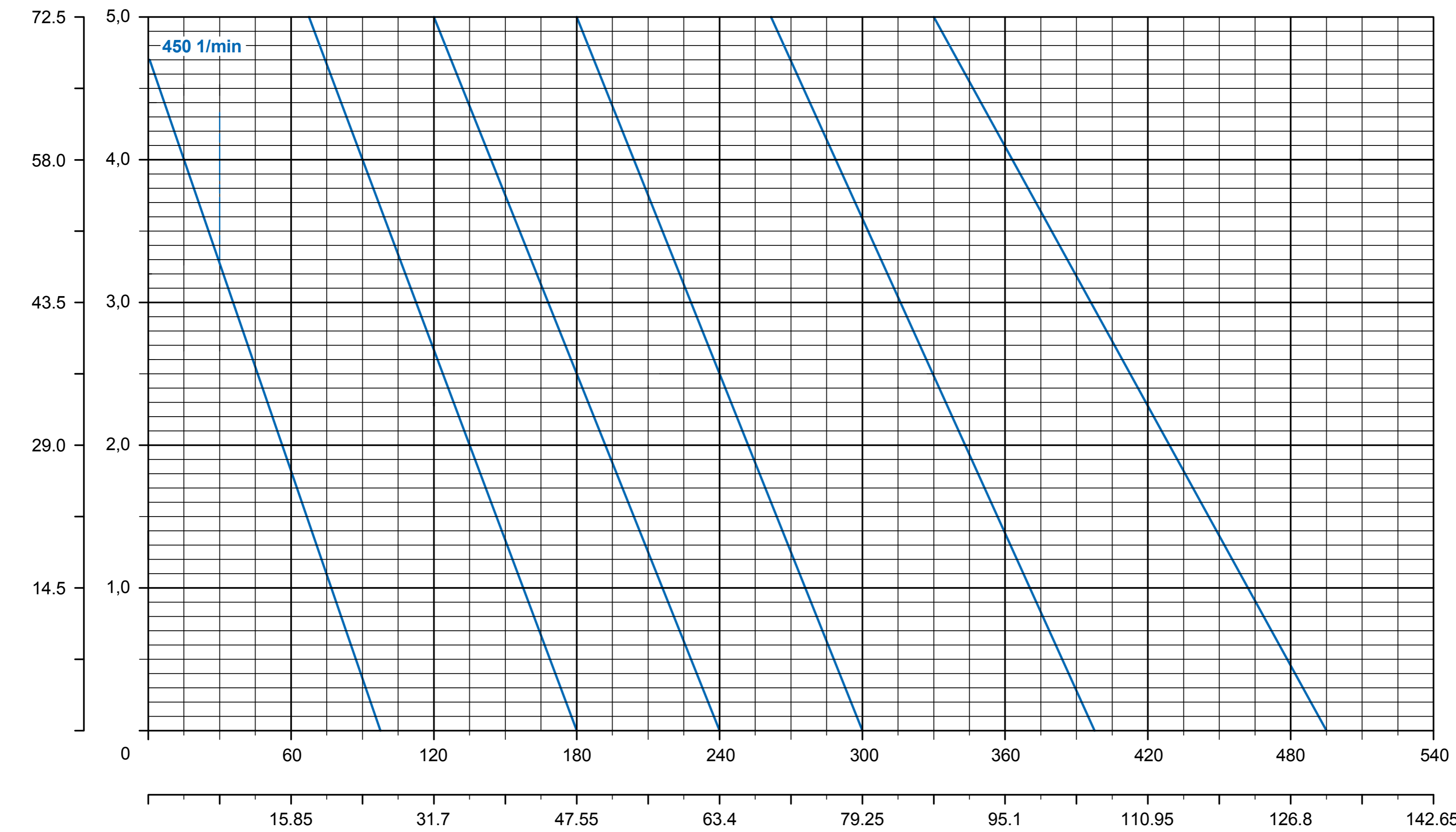
The pump housing is made of corrosion resistant solid block plastics like PP or PVDF. The motor power is transmitted by a frictional connection to the hydraulic part of the pumps by strong Neodymium-Permanent-Magnets. So the pump is able to work without any shaft seals, which guarantees a safe and maintenance-free transfer of the liquid without any leakage of corrosive, toxic and explosive fluids. Pumps for hazardous explosive areas, zone 1 or 2, can be made out of conductive PVDF.

MOTOR ADAPTION

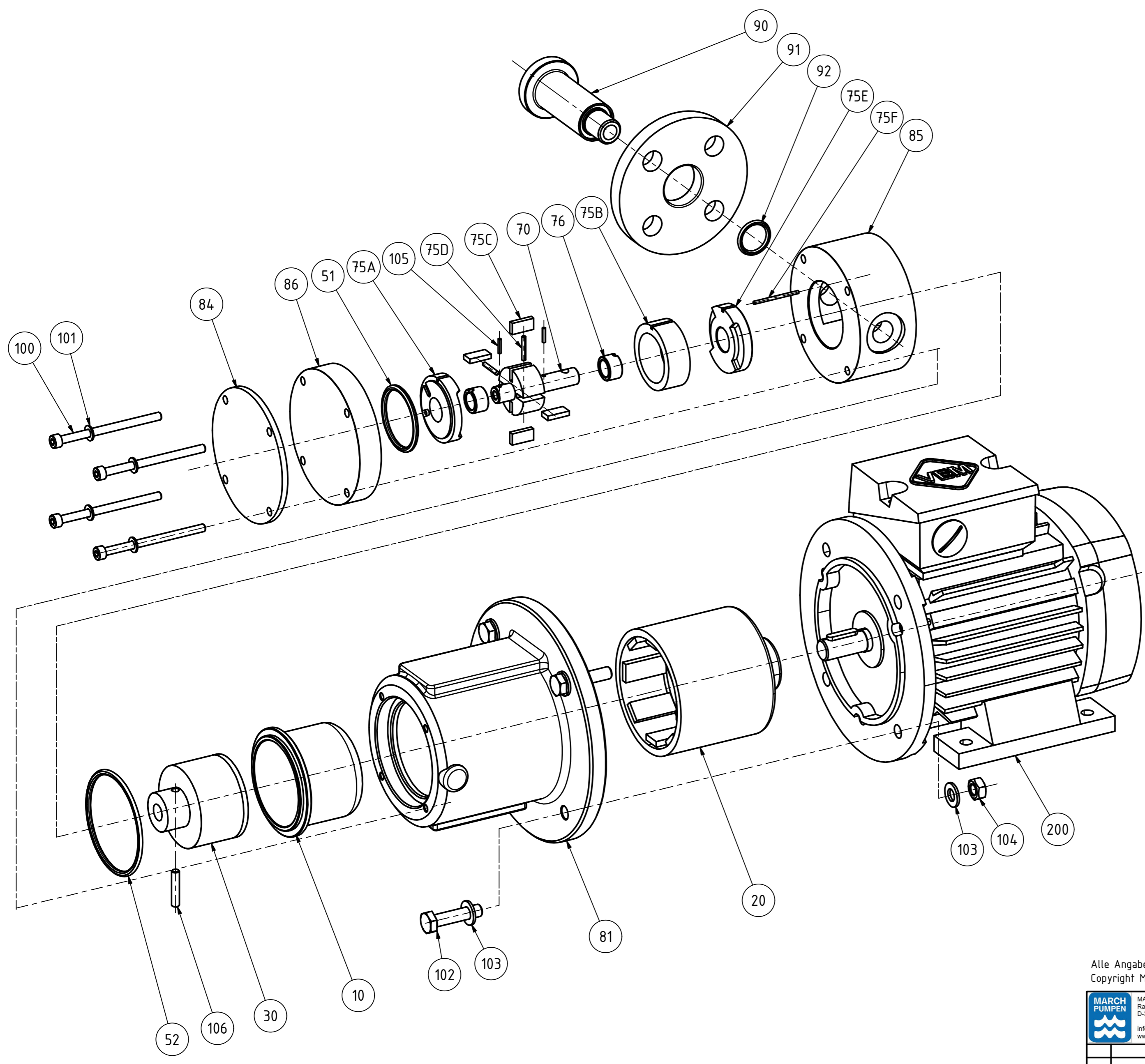
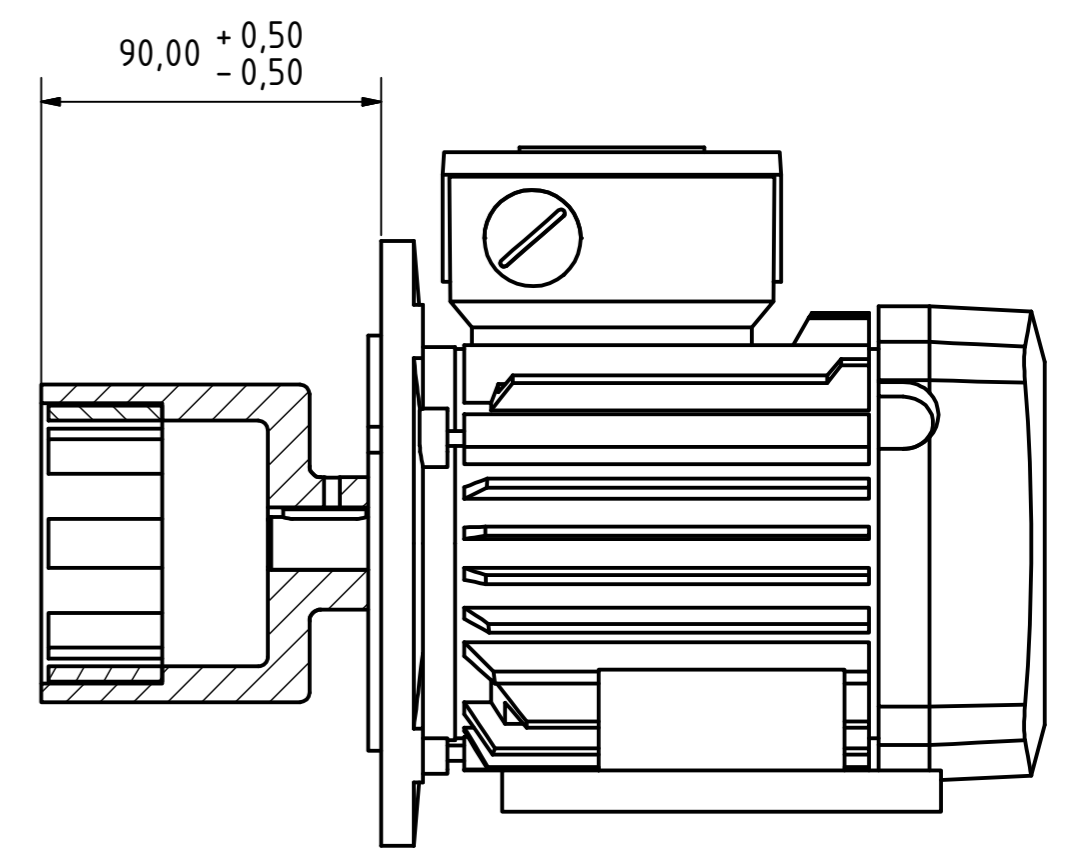
EU Version:	IEC Size 71 B35, 0,37kW 1500 1/min
US Version:	NEMA56C, 0.5 HP 1750 1/min




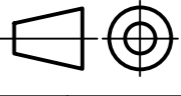
H [psi] H [bar]

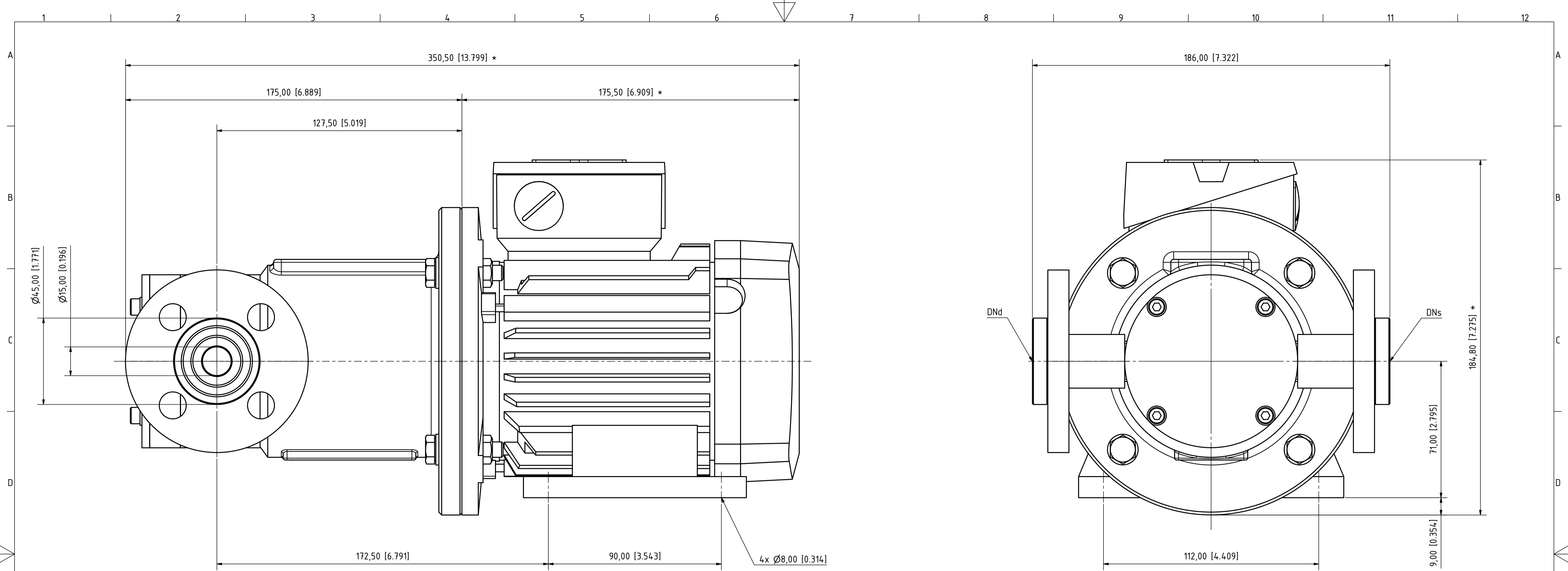


KENNLINIEN / PERFORMANCE CURVES			
Series	VANE-MAG		
Pump Size	MP 414		
Motor Power	0,12kW	0,25kW	0,37kW / 0.5HP
Speed	750 / 900 1/min	900 / 1150 1/min	1450 / 1750 1/min
Fluid Viscosity	1 mm ² /s	Fluid Density	1 kg/dm ³



Alle Angaben unverbindlich, technische Änderungen vorbehalten! Technical data not binding and subject to change!
 Copyright MARCH PUMPEN GmbH 2017

 MARCH PUMPEN GmbH & Co.KG Rätthausstraße 2 D-35394 Gießen info@march-pumpen.com www.march-pumpen.com		 1:2	
	Datum	Name	VANE-MAG MP 0100 PP/PVDF BG71 B35 EXPLOSIONSDARSTELLUNG EXPLODED VIEW
	Gezeichnet	Lach	
	Kontrolliert		
	Norm		
			EXPL_MP-0100-P-F-BG71 1 A2
Status	Änderungen	Datum	Name



- ABMESSUNGEN
mm [Zoll]
* Maß kann bei anderen Motorenfabrikaten abweichen

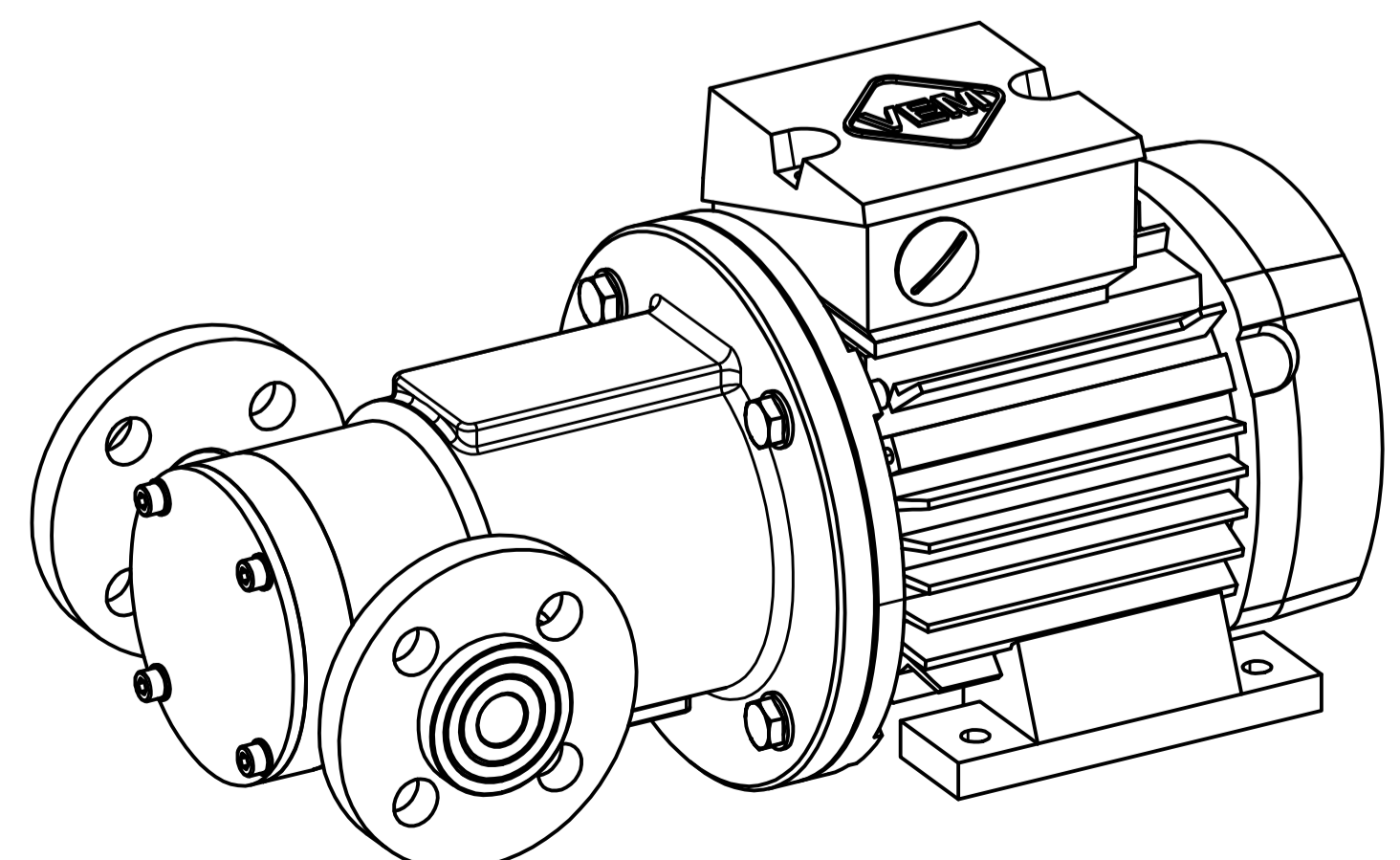
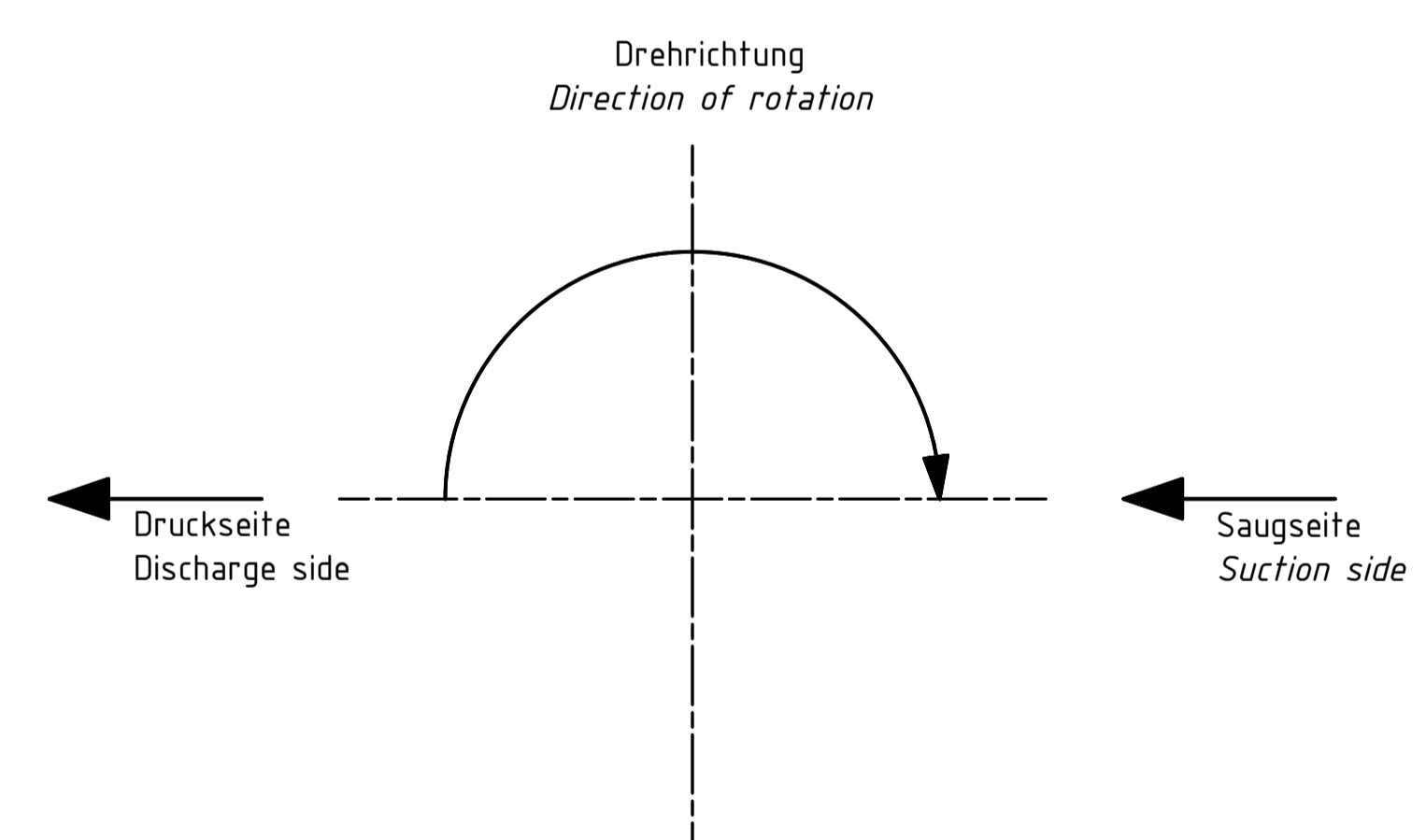
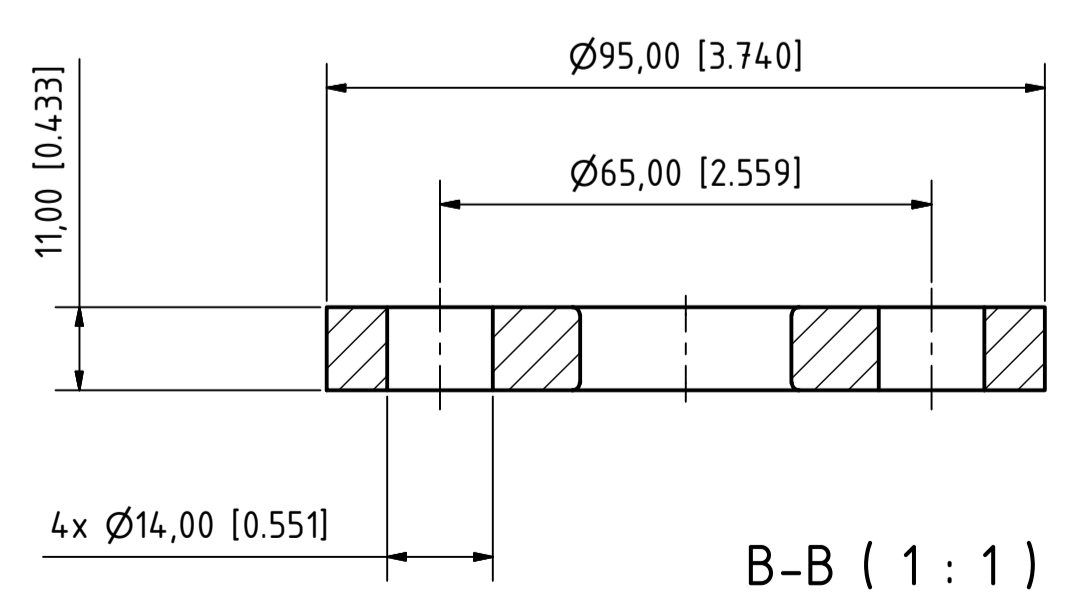
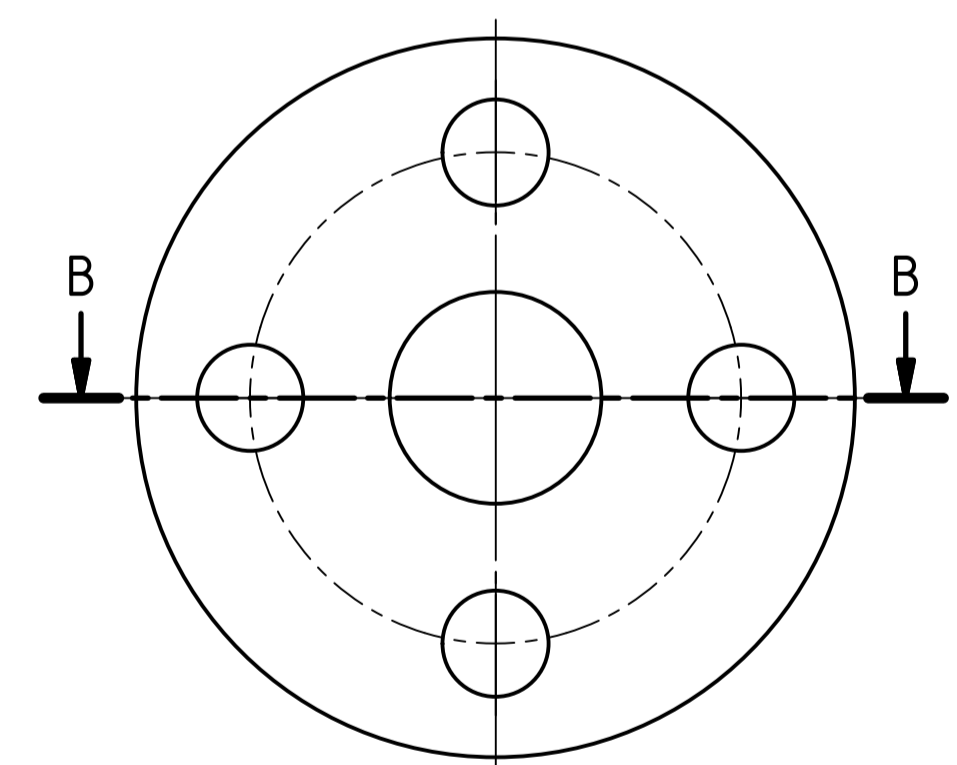
- DIMENSIONS
mm [Inch]
* may change with different motor manufacturer

- ANTRIEB
Drehstrom-Asynchronmotor nach IEC Richtlinien.
Fabrikat: VEM
Größe: IEC BG71 IM B3/B5, 0,37kW , 1450 1/min

- DRIVE
Three phase TEFC electric motor acc. to IEC Standards
Manufacturer: VEM
Size: IEC71 B3/B5, 0,37kW, 1450 rpm

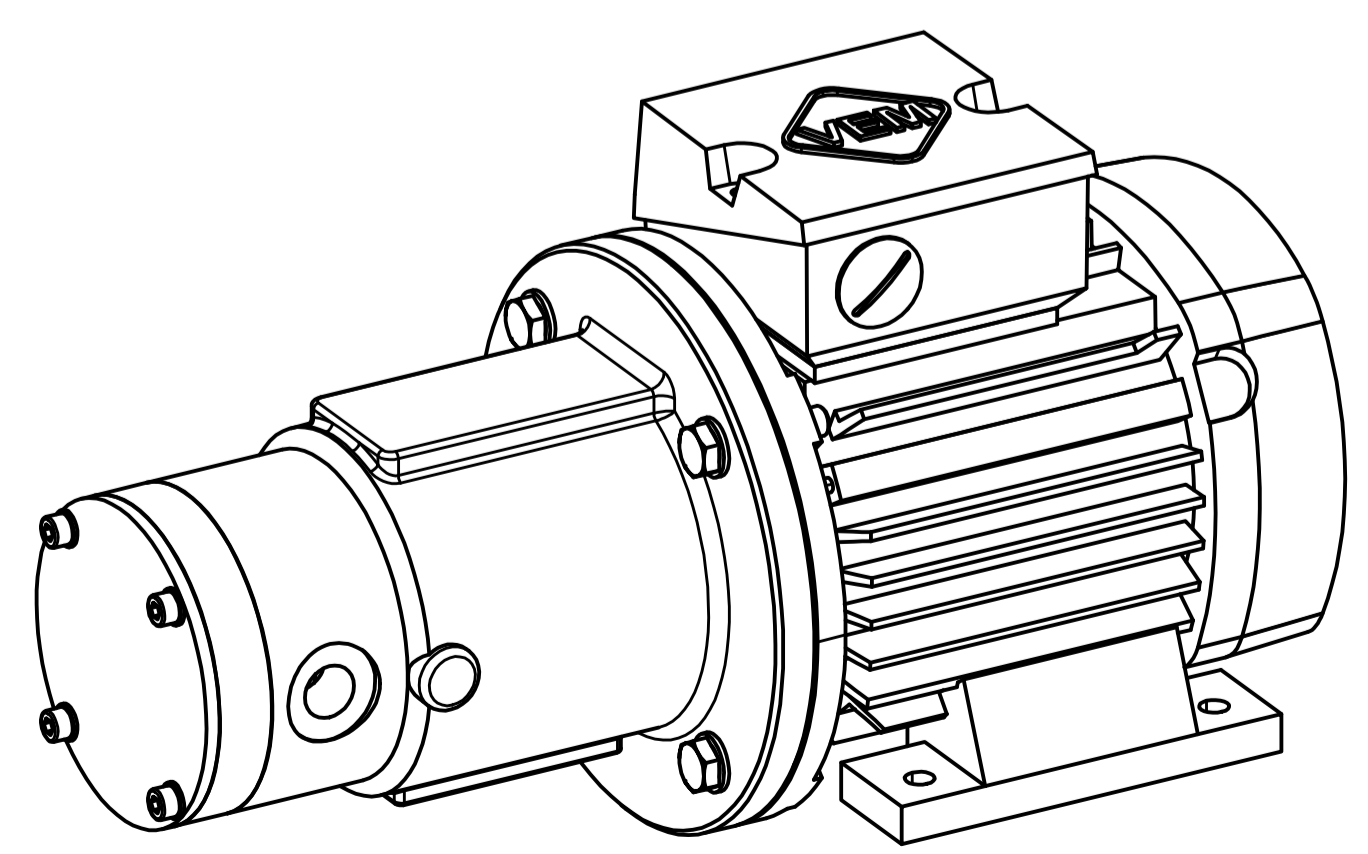
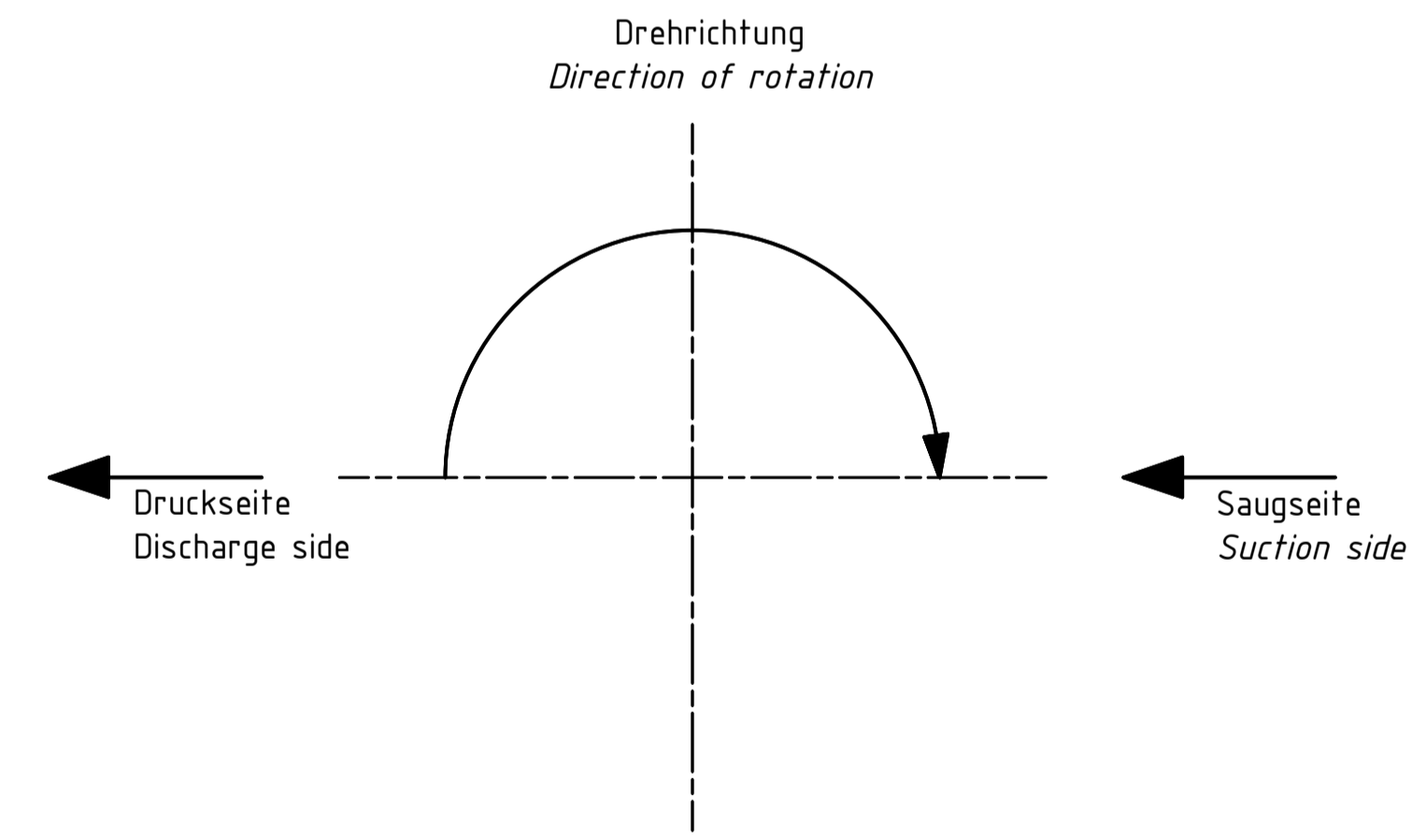
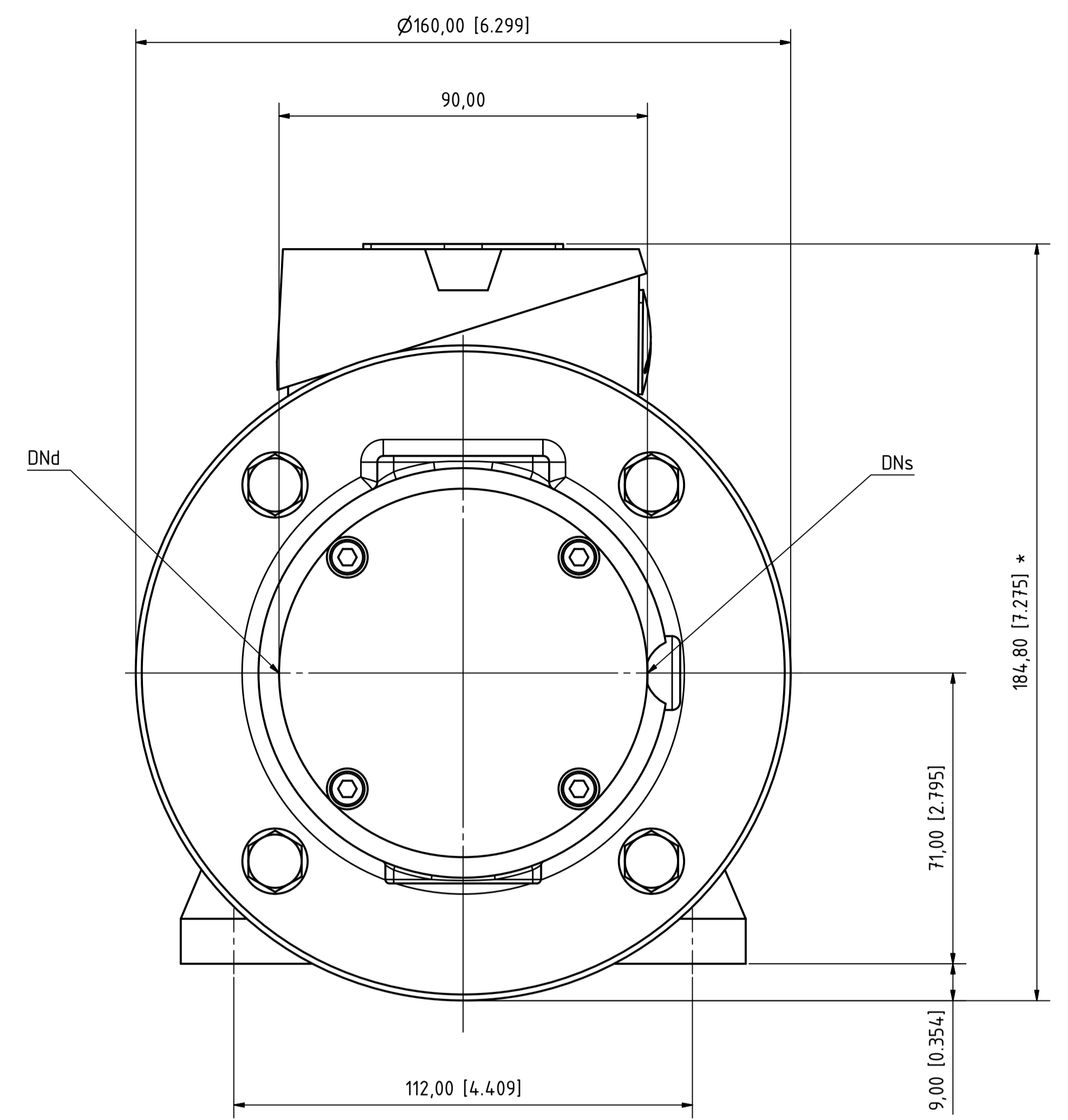
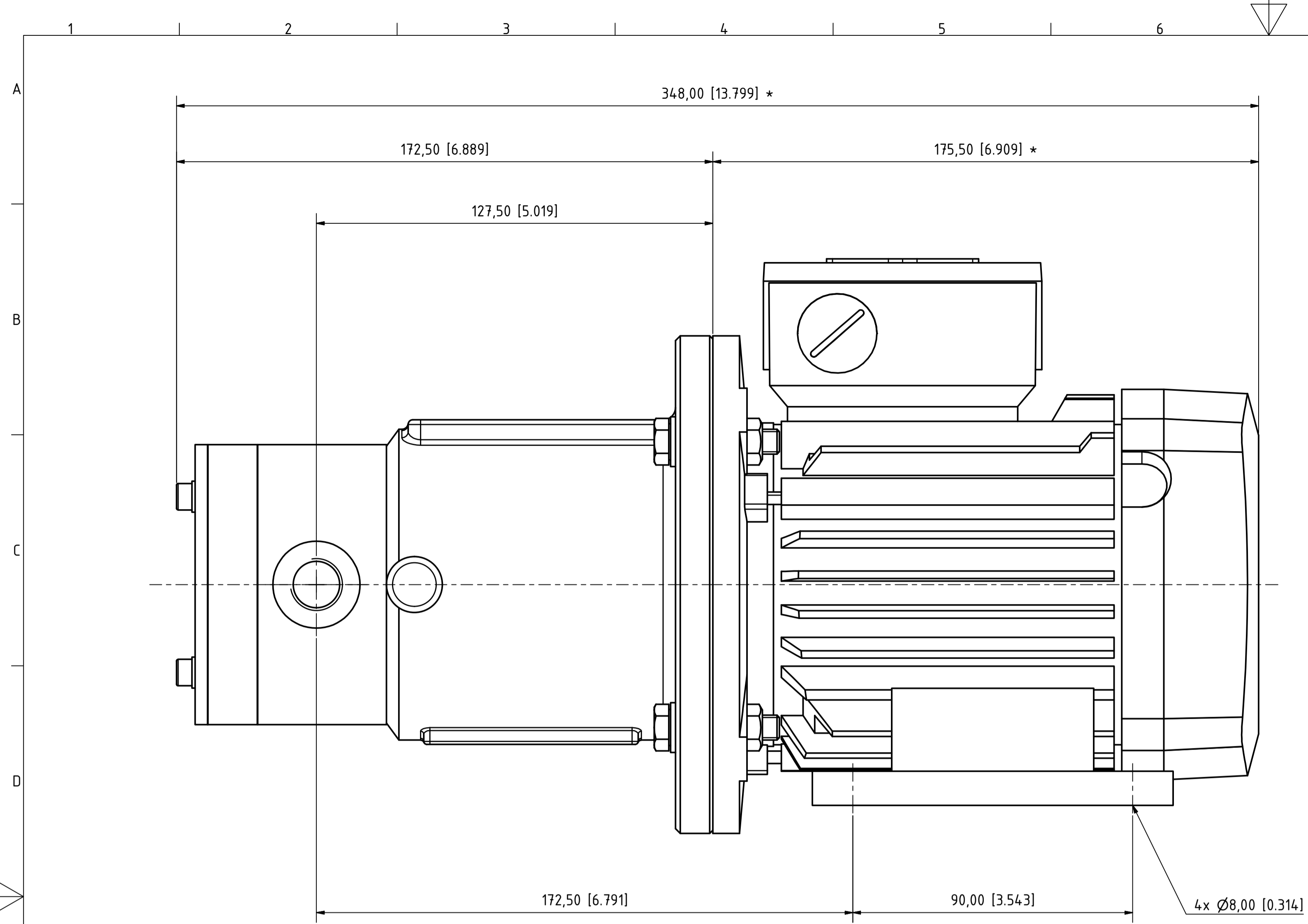
- ANSCHLÜSSE DN_s/d
Losflansch DN15 PN10 - PPST

- CONNECTIONS DN_s/d
Lap Joint Flange DN15 PN10 - PPST



Alle Angaben unverbindlich, technische Änderungen vorbehalten! Technical data not binding and subject to change!
Copyright MARCH PUMPEN GmbH 2017

	MARCH PUMPEN GmbH & Co.KG Rathausstraße 2 32304 Gieden		1:1	Datum: 01.06.2017 Name: Läch	VANE-MAG MP 0100 P F IEC71 VEM ABMESSUNGEN DIMENSIONS
	info@march-pumpen.com www.march-pumpen.com				



- ABMESSUNGEN
mm [Zoll]
* Maß kann bei anderen Motorenfabrikaten abweichen

- DIMENSIONS
mm [Inch]
* may change with different motor manufacturer

- ANTRIEB
Drehstrom-Asynchronmotor nach IEC Richtlinien.
Fabrikat: VEM
Größe: IEC BG71 IM B3/B5, 0,37kW , 1450 1/min

- DRIVE
Three phase TEFC electric motor acc. to IEC Standards
Manufacturer: VEM
Size: IEC71 B3/B5, 0,37kW, 1450 rpm

- ANSCHLÜSSE DN_s/d
G3/8" Innengewinde

- CONNECTIONS DN_s/d
Threaded G3/8" female

Alle Angaben unverbindlich, technische Änderungen vorbehalten! Technical data not binding and subject to change!
Copyright MARCH PUMPEN GmbH 2017

	MARCH PUMPEN GmbH & Co.KG Rathausstraße 2 D-30304 Gießen info@march-pumpen.com www.march-pumpen.com		1:1	VANE-MAG MP 0100 P R IEC71 VEM ABMESSUNGEN DIMENSIONS DPMP-0100-P-R-IEC71-VEM
	Gezeichnet Konstruiert Name	Datum 01.06.2017 Läch		
Status	Änderungen	Datum	Name	