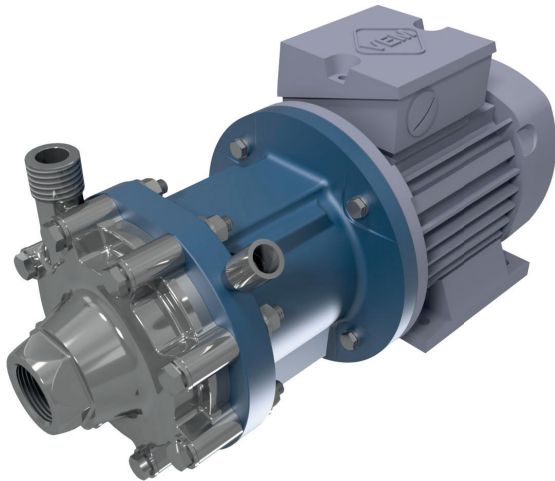


MAGNETIC DRIVEN CHEMICAL CENTRIFUGAL PUMPS

Series M EUROLINE

M10.2 AISI316



TECHNICAL DATA

Nominal speed:	2900 / 3500 1/min
Frequency:	50 / 60 Hz
Capacity flow, max.:	12 / 16 m ³ /h
Discharge head, max.:	11 / 16,5 mwc
Design pressure, max.:	25 bar
Design temperature, max.:	200 °C
Density, max.:	1,9 kg/dm ³
Viscosity, max.:	200 cP
NPSHR:	1,0 ... 5,0 m
Drive power:	0,75 ... 1,1 kW

APPLICATIONS

Series M / EUROLINE Magnetic Driven Centrifugal Pumps are used especially for a safe handling of corrosive liquids, acids, lyes and solvents. Proven applications e.g. the use as filterpumps in plating industry, such as recirculating pumps in chemical industries and Plants, as well as in food-, pharmaceutical industry and biotechnics.

CONNECTIONS

Suction side: G1 1/2" female, Flanged DN40
Discharge side: G1" male, Flanged DN25

MATERIALS

Housing: AISI316
Containment Can: AISI316
Impeller: AISI316
O-Rings: EPDM, FKM, FFKM, FEP
Sleeve Bushings: Graphite
Shaft: SiC
Thrust Bearing: Graphite

DESIGN FEATURES

- Centrifugal Pump
- Leak-free
- Magnetic driven
- CoSm permanent magnets
- Closed coupled
- Normal suction
- Maintenance free
- Only a few wear parts
- Pump execution acc. to ATEX 2014/34/EU

PRODUCT DESCRIPTION

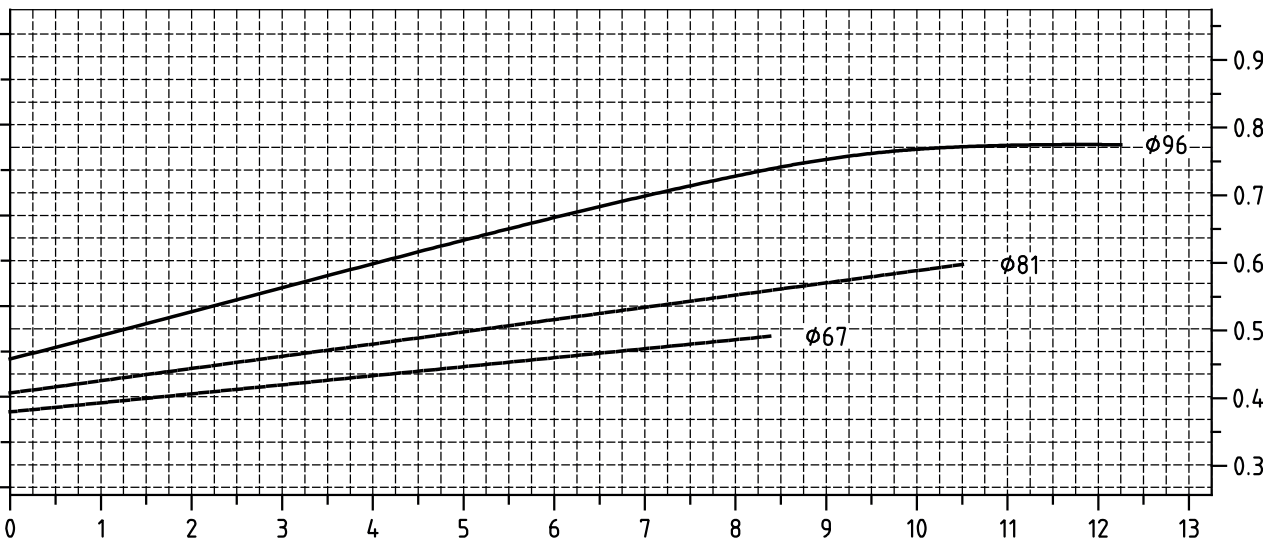
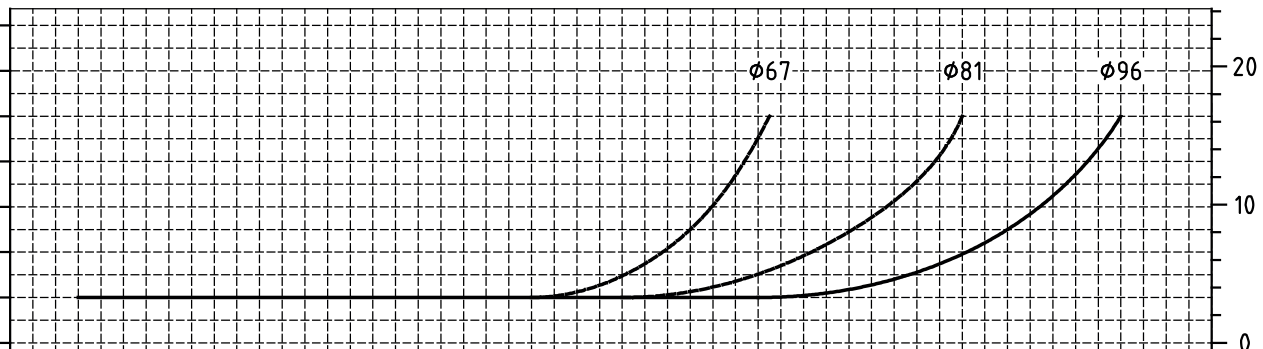
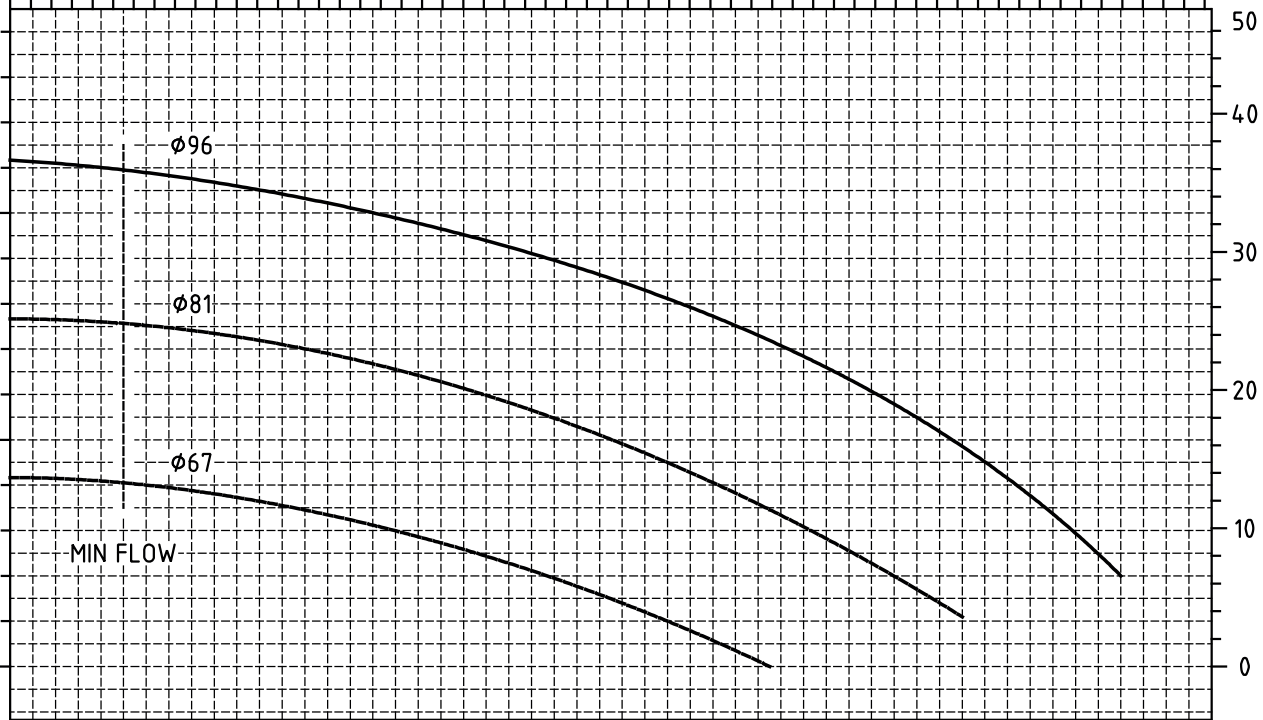
MARCH Magnetic Driven Centrifugal Pumps are designed to work completely without mechanical shaft sealing. The motor power is transmitted by a frictional connection through strong drive magnets to the hydraulic part.

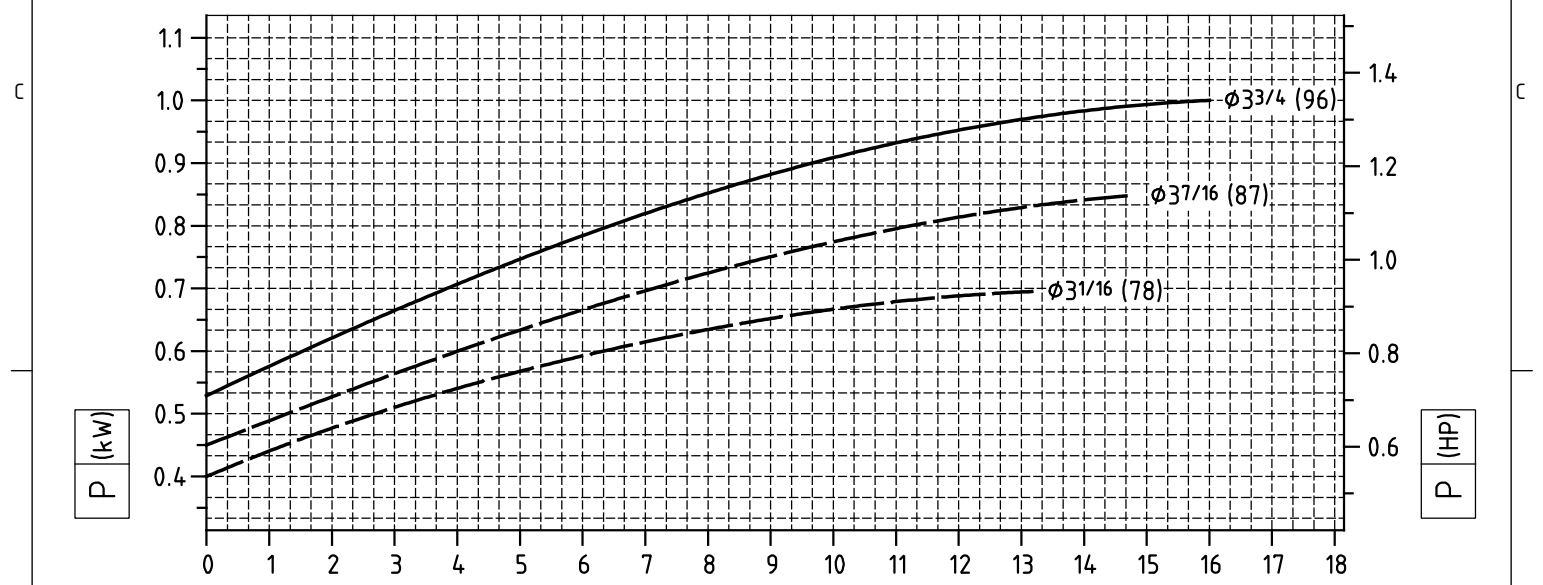
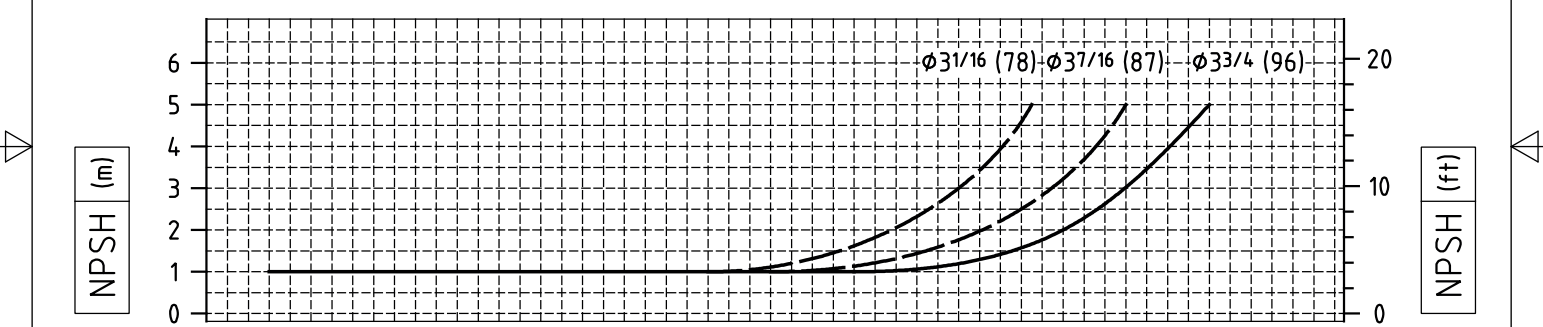
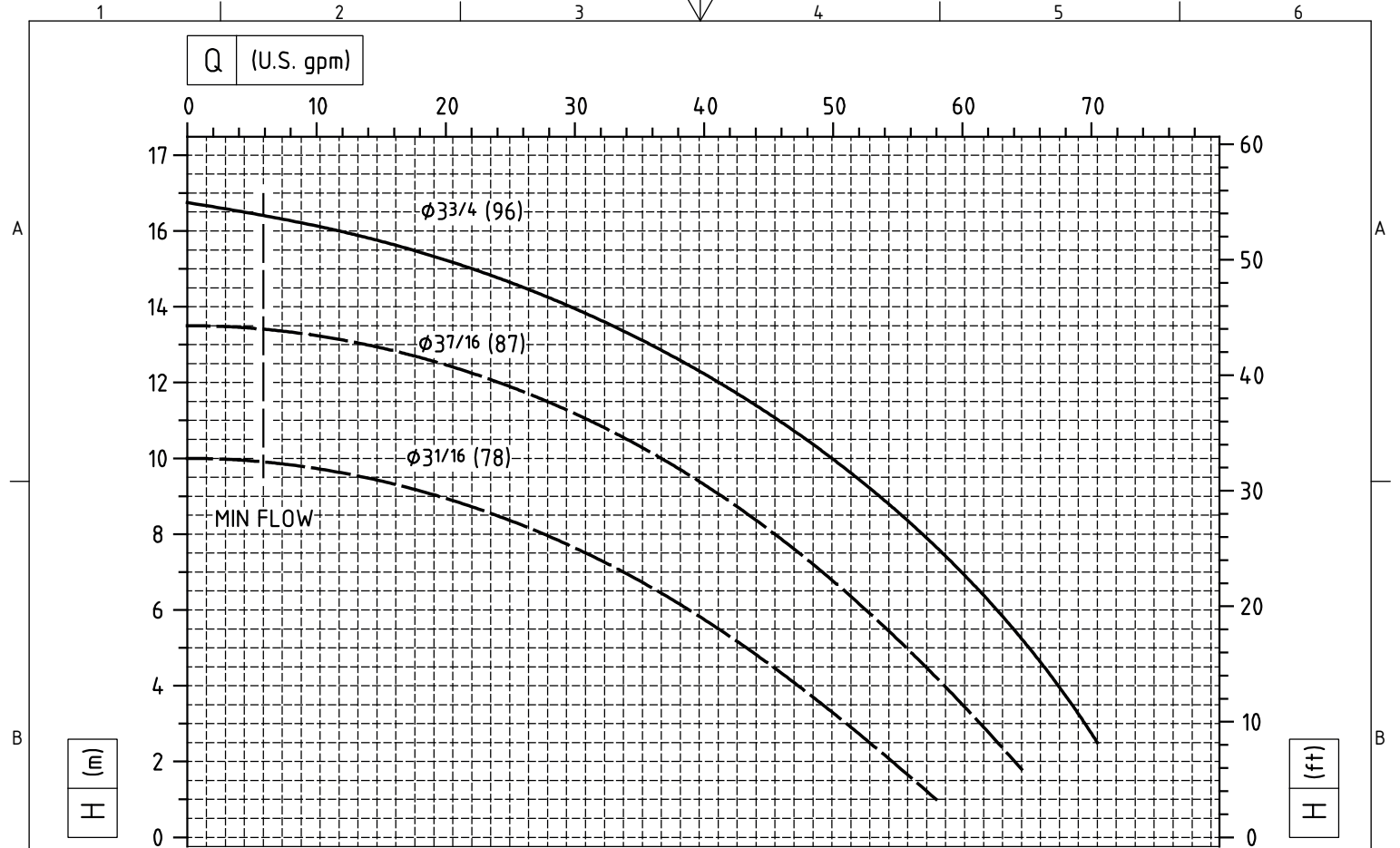
MARCH Magnetic Driven Centrifugal Pumps guarantee highest quality standards, economic efficiency and reliability in liquid transfer of aggressive, toxic and environmental threatening liquids.


The pumps are built with casted stainless steel housing parts and in a closed coupled block design as standard. The modular construction allows a quick exchange of the wetted parts within a few minutes and without special tools. The friction bearing lubrication and cooling is done by the pumped liquid. As the pumps work maintenance-free, an operation without liquid (dry running) has to be avoided. European IEC standard motors according to IEC / EN 600340 are assembled on all Series M / EUROLINE Pumps. Explosion proof models are available upon request. All Series M / EUROLINE pumps can be supplied with BSP threads or flange connection. The operative limits, especially min. and max. flow rates and the required net positive suction head (NPSH) are important for the trouble-free operation of the pump.

Q (U.S. gpm)

0 5 10 15 20 25 30 35 40 45 50 55

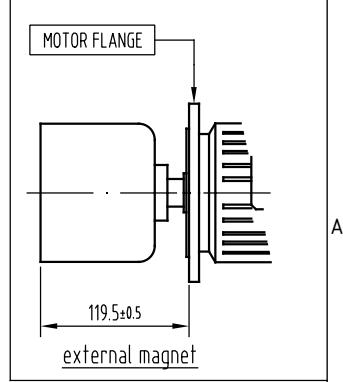
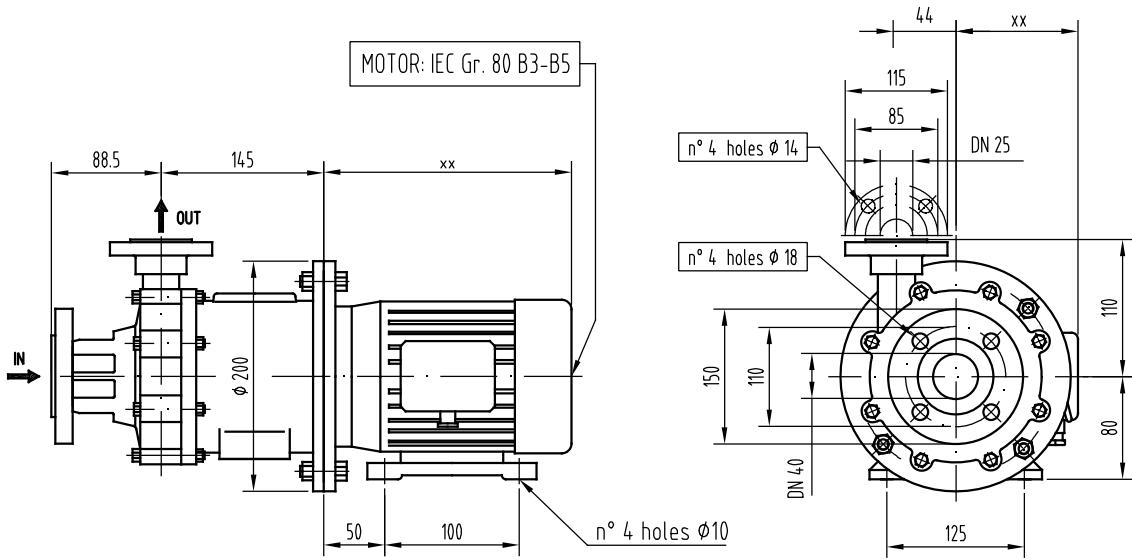




 <p>MARCH PUMPEN GmbH & Co.KG Rathenaustraße 2 D-35394 Gießen www.march-pumpen.com info@march-pumpen.com</p>	Baureihe / Series:	M / EUROLINE
	Typ / Type:	M10.2 AISI316
	Motor:	IEC Size 80 B35 / 3500 1/min

dimensions in mm

A



A

B

xx DIFFERENT FROM MOTOR MANUFACTURER

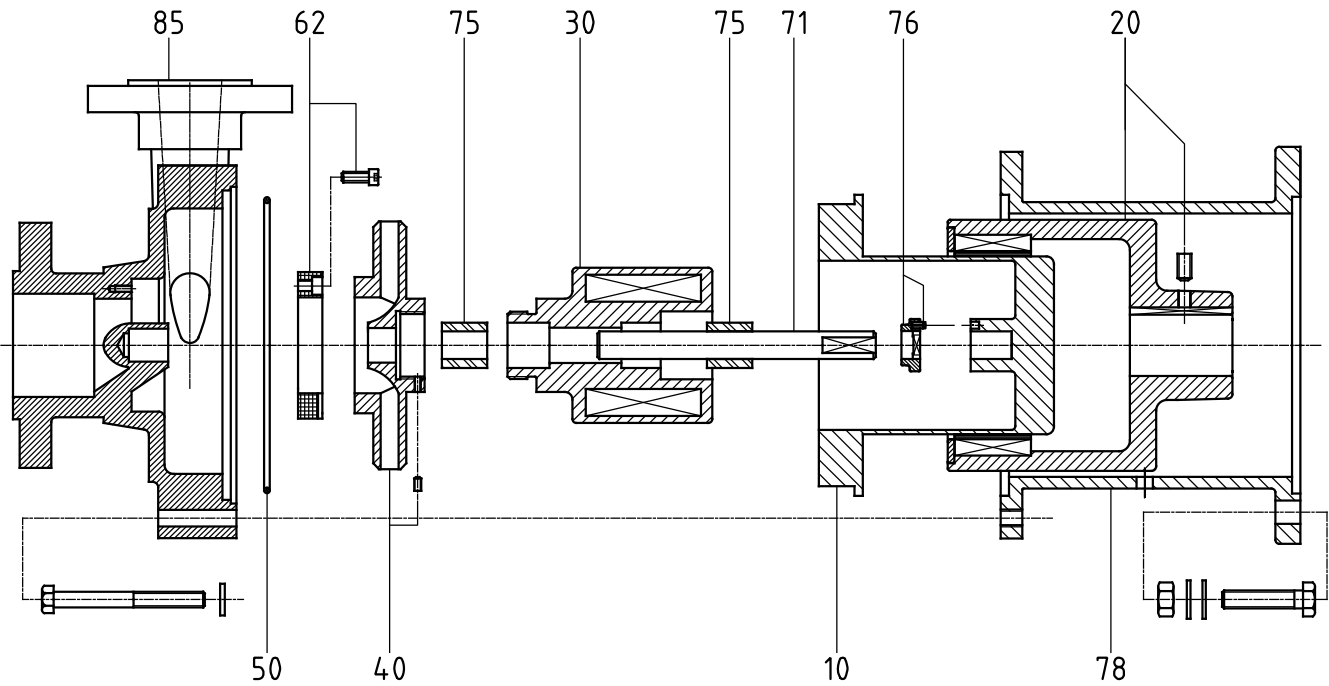
ROTATION



FLANGES DIN PN25

B

C



C

D



MARCH PUMPEN GmbH & Co.KG
 Rathenastraße 2
 D-35394 Gießen
 www.march-pumpen.com
 info@march-pumpen.com

Baureihe / Series:	M / EUROLINE
Typ / Type:	M10.2 AISI316
Motor:	IEC Size 80 B35

D

1

2

3

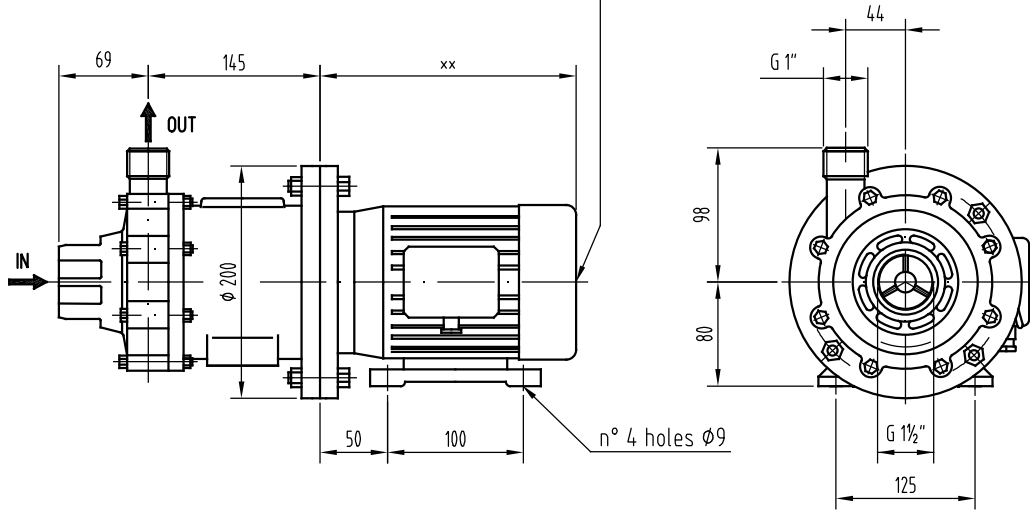
4

5

6

1 dimensions in mm

MOTOR: IEC Gr. 80 B3-B5

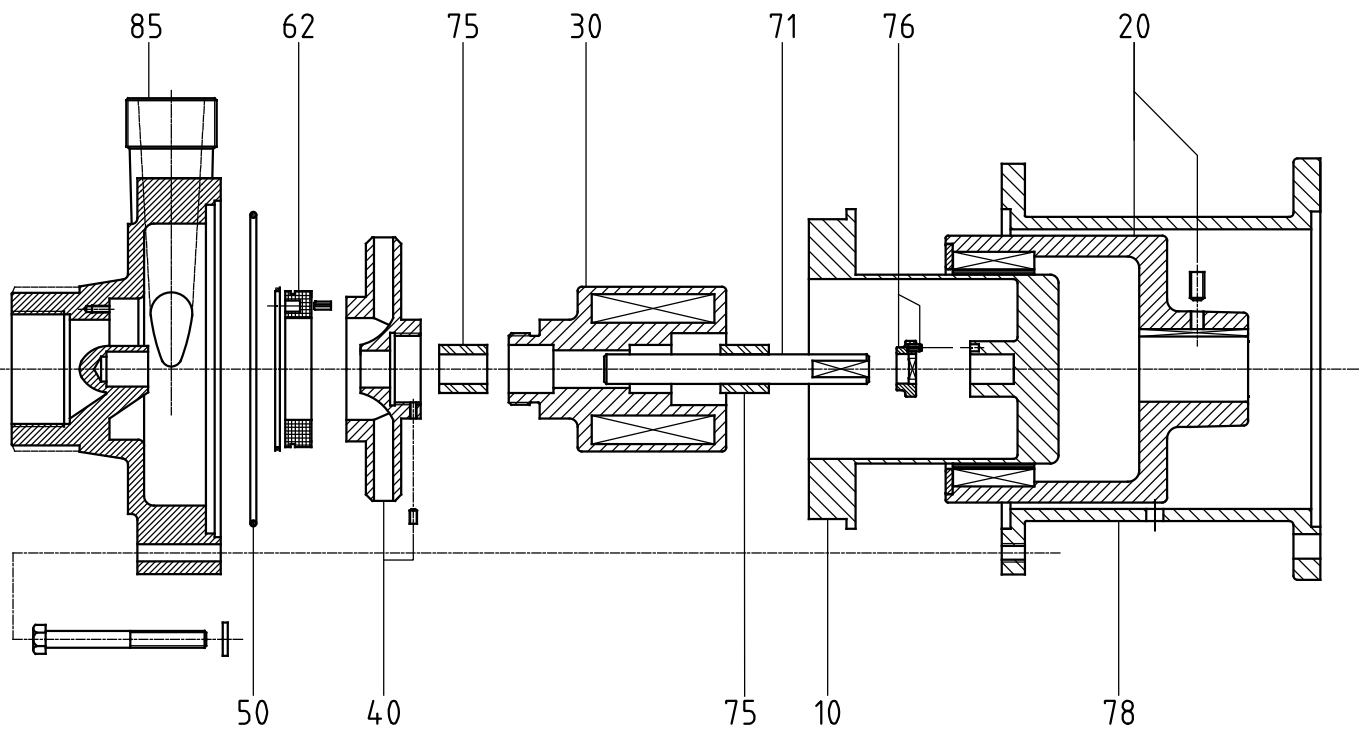


ROTATION



xx DIFFERENT FROM MOTOR MANUFACTURER

THREAD UNI ISO 228/1



MARCH PUMPEN GmbH & Co.KG
 Rathenastraße 2
 D-35394 Gießen
 www.march-pumpen.com
 info@march-pumpen.com

Baureihe / Series:	M / EUROLINE
Typ / Type:	M10.2 AISI316
Motor:	IEC Size 80 B35

PARTS LIST M / EUROLINE M10.2 AISI316

Pos.	Description	Material	Qty	Article code
10	Containment Can	1.4401	1	CA-0102-0010-316
20	Drive Magnet	S355 + CoSm	1	CA-0102-0020-CS-S355
30	Internal Magnet Rotor	1.4401 + CoSm	1	CA-0102-0030-CS-316
40	Impeller	CF8M	1	CA-0102-0040-CF8M
50	O-Ring	Viton	1	CA-0102-0050-VI
		EPDM		CA-0102-0050-EP
		FEP		CA-0102-0050-FE
62	Thrust Bearing	Graphit	1	CA-0102-0062-G
71	Pump Shaft	SSiC	1	CA-0102-0071-SiC
75	Sleeve Bushing	Graphit	2	CA-0102-0075-G
76	Locking Ring	1.4401	1	CA-0102-0076-316
78	Pump Bracket	EN-GJL-200	1	CA-0102-0078-GG
85	Pump Housing	CF8M	1	CA-0102-0085-316-F
	Housing Screws	A2	1 Set (8 pcs)	CA-0102-0100-A2
	Motor Screws	A2	1 Set (4 pcs)	CA-0102-0101-A2

SPARE PARTS

	Rear Wet End 10+30+40+50+71+75+76	Viton EPDM FEP		DTCA-0102-SVISCS-RWE DTCA-0102-SEISCS-RWE DTCA-0102-SFISCS-RWE
	Wet End 10+30+40+50+62+71+75+76+85	Viton EPDM FEP		DTCA-0102-SVISCS-F-WE DTCA-0102-SEISCS-F-WE DTCA-0102-SFISCS-F-WE



MARCH PUMPEN GmbH & Co.KG
 Rathenaustraße 2
 D-35394 Gießen
 www.march-pumpen.com
 info@march-pumpen.com

Baureihe / Series: **M / EUROLINE**
 Typ / Type: **M10.2 AISI316**
 Motor: **IEC Size 80 B35**