

# MAGNETIC DRIVEN CENTRIFUGAL PUMP SERIES M

## M6



### DESIGN CHARACTERISTICS

- Leakfree
- Magnetic Driven
- Normal Suction
- Block Design

### CONNECTIONS

#### Suction

Threaded: BSP 1" female  
Union Bushing: BSP 1 1/2"  
Flange: DN 25

#### Discharge

Threaded: 3/4" MPT  
Union Bushing: BSP 1 1/4" male  
Flange: DN 20

### MATERIAL

Housing: PP, PVDF, PPS  
O-Ring: FKM, FEP, EPDM

### TECHNICAL DATA

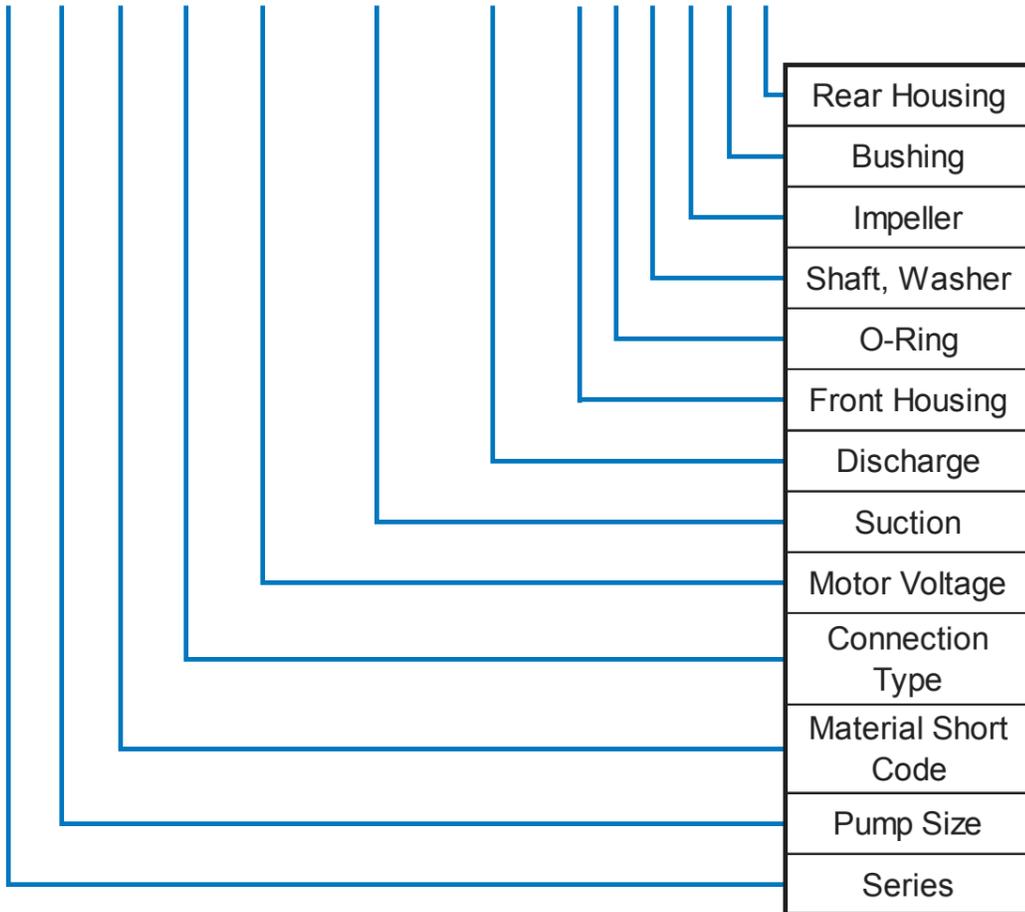
Flow Rate max.: 107 l/min  
Discharge Head max.: 10,5 mwc  
System Pressure max.: 3,5 bar  
Temperature max.: PP 70°C  
PVDF 90°C  
PPS 70°C  
Density max.: 2,0 kg/dm<sup>3</sup>  
Viscosity max.: 100 cP

### APPLICATIONS

- Chemical Industry
- Plant and Equipment Engineering
- Electroplating
- Filter Pumps
- Waste Water Treatment
- Acids, Bases and Solutions
- Hazardous Liquids

### MATERIAL CODE

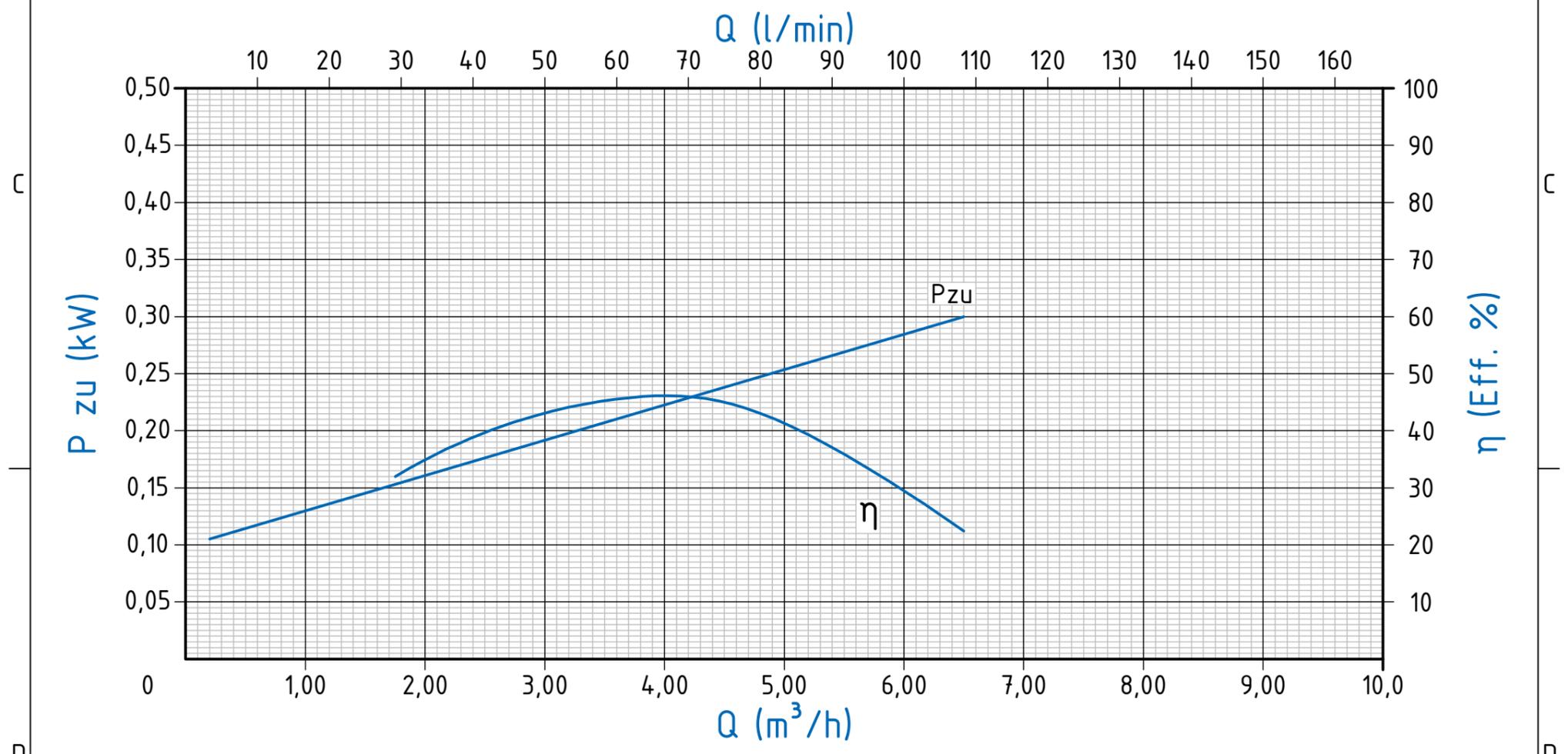
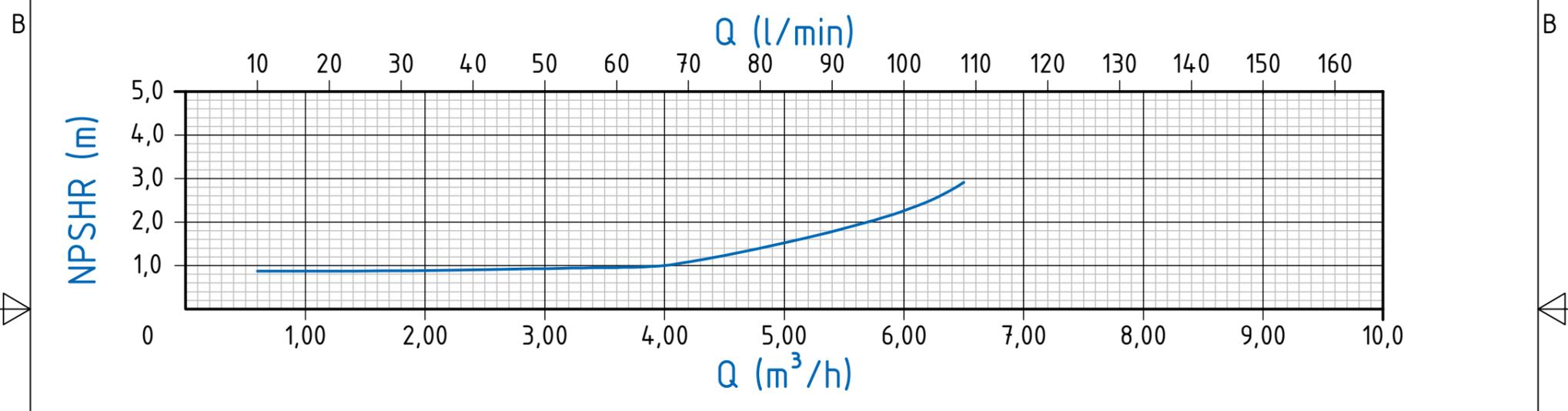
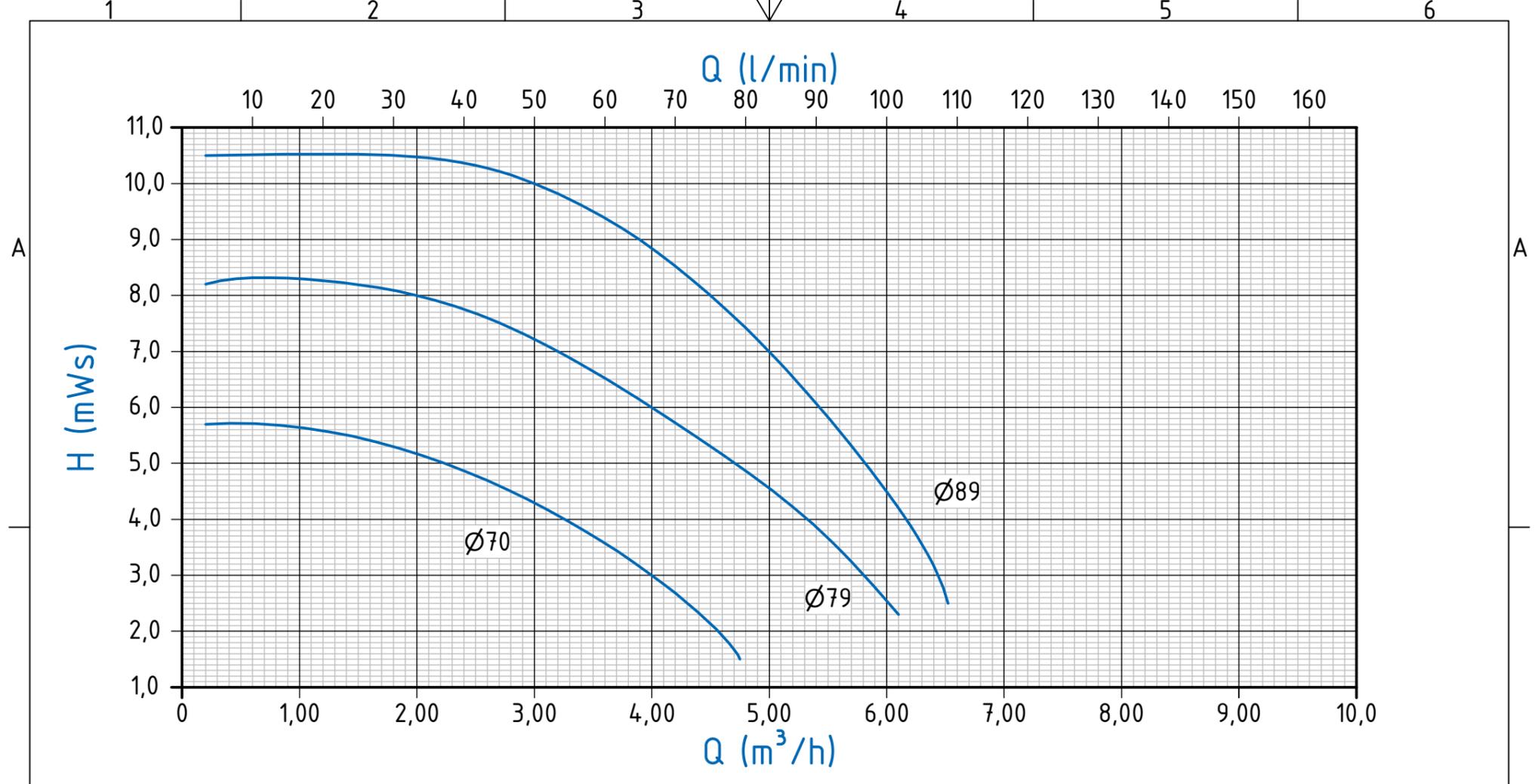
M 6 PPR 400V 1" - 3/4"/PVKPRR



Material Short Code	Material
PP	PP
PV	PVDF
RY	PPS

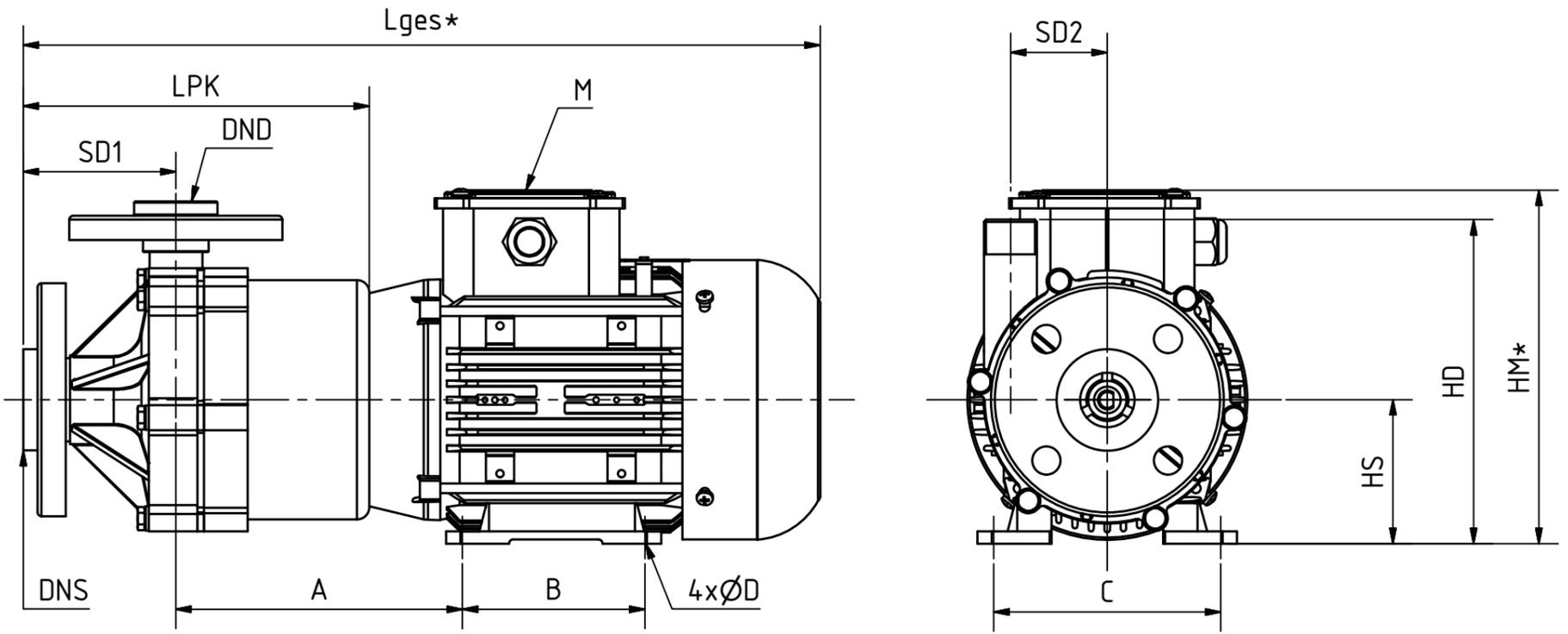
Connection Type Short Code	Connection Type
R	Threaded
E	Union Bushing
F	Flange

Material Code											
Front Housing		O-Ring		Shaft, Washer		Impeller		Bushing		Rear Housing	
K	PVDF	E	EPDM	K	Ceramic	K	PVDF	O	w/o Bushing	K	PVDF
P	PP	V	FKM			P	PP			P	PP
		F	FEP								



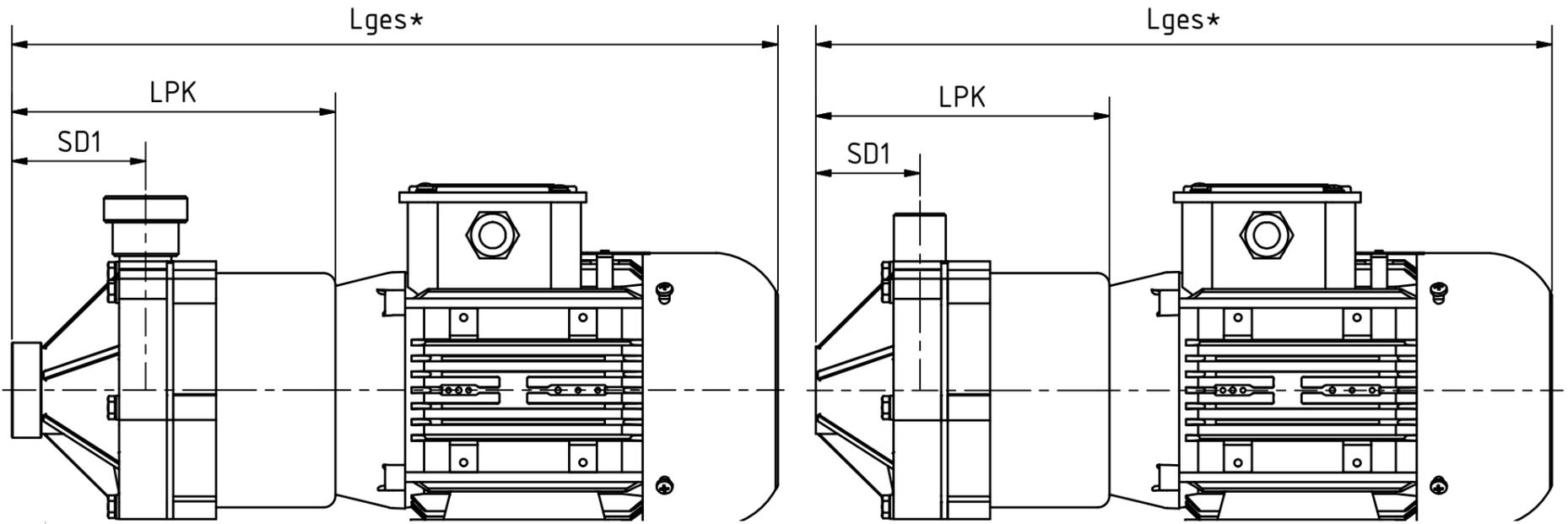
 <p><b>MARCH PUMPEN GmbH &amp; Co.KG</b>          Rathenastraße 2          D-35394 Gießen  <a href="http://www.march-pumpen.com">www.march-pumpen.com</a>  <a href="mailto:info@march-pumpen.com">info@march-pumpen.com</a></p>	Pumpe / Pump	Drehzahl / Speed	Lauf­rad / Impeller	Dichte / S.G.	Baureihe / Series: M / Euroline
	M6	2900 RPM	Ø 89 mm	max. 1,1 kg/dm³	Typ / Type: M6
			Ø 79 mm	max. 1,5 kg/dm³	Motor: 230/400V-370W-2900RPM
			Ø 70 mm	max. 2,0 kg/dm³	

# M6 PPF 230/400V



# M6 PPE 230/400V

# M6 PPR 230/400V



Maßtabelle

Pumpentyp	M					DNS	DND	SD1	SD2
-	Typ	U [V]	P [kW]	f [Hz]	n [min <sup>-1</sup> ]	-	-	[mm]	[mm]
M6 PPE 230V	IEC BG71 B34k	230	0,37	50	2900	1 1/2" BSP -AG	1 1/4" BSP -AG	67,30	47,75
M6 PPE 400V		400							
M6 PPF 230V		230							
M6 PPF 400V		400							
M6 PPR 230V		230				1" BSP	3/4" MPT	52,30	
M6 PPR 400V		400							

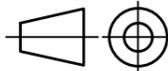
Pumpentyp	Lges *	LPK	A	B	C	ØD	HS	HD	HM *
-	[mm]	[mm]	[mm]	[mm]	[mm]	[mm]	[mm]	[mm]	[mm]
M6 PPE 230V	371,70	162,20	137,90	90,00	112,00	7,00	71,00	168,55	175,00
M6 PPE 400V	385,20		141,40						174,50
M6 PPF 230V	380,20	170,70	137,90					168,90	175,00
M6 PPF 400V	393,20		141,40						174,50
M6 PPR 230V	357,20	147,70	137,90					159,90	175,00
M6 PPR 400V	370,20		141,40						174,50

\* Maß weicht bei anderen Motorfabrikaten ab

Alle Angaben unverbindlich, technische Änderungen vorbehalten! Technical data not binding and subject to change!  
Copyright MARCH PUMPEN GmbH 2013

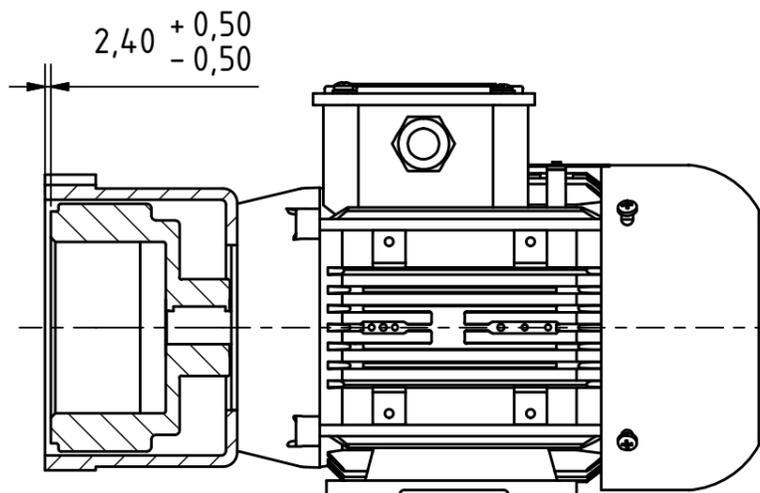
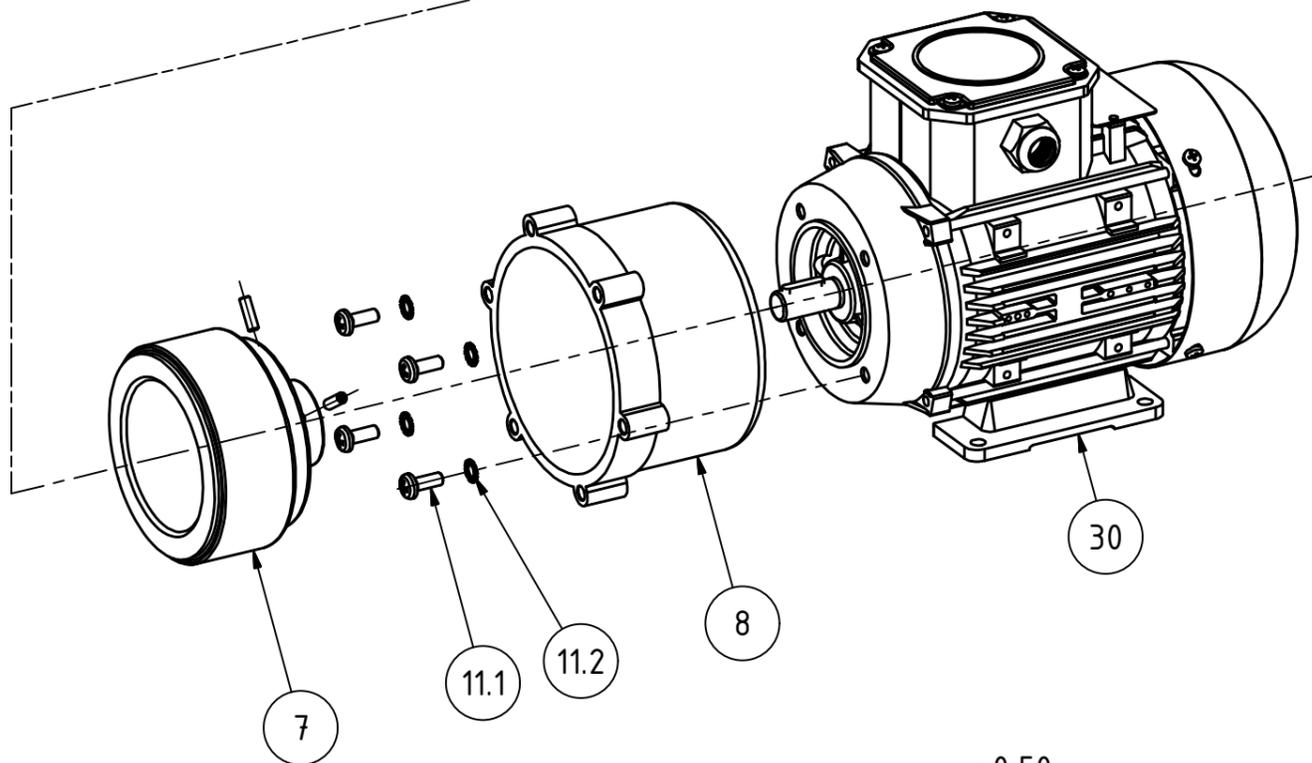
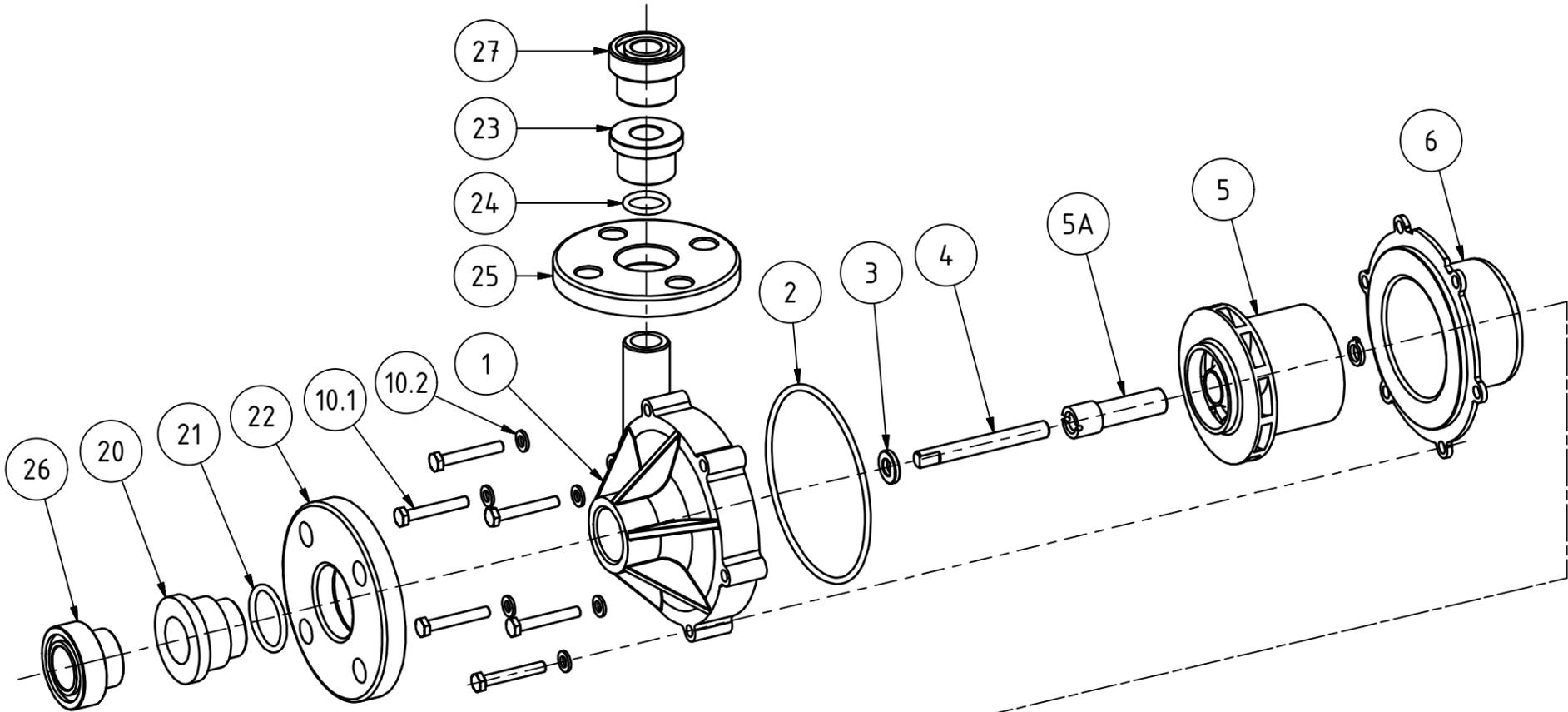


MARCH PUMPEN GmbH  
Rathenaustraße 2  
D-35394 Gießen  
info@march-pumpen.com  
www.march-pumpen.com

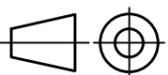


Datum		Name	
Gezeichnet	25.08.2015	P.Stachon	
Kontrolliert			
Norm			
Status	Änderungen	Datum	Name

Produktzeichnung  
Dimensional Drawing  
Baureihe M6 / Series M6  
**PRODUKTZEICHNUNG\_M6** 1  
A3



Alle Angaben unverbindlich, technische Änderungen vorbehalten! Technical data not binding and subject to change!  
 Copyright MARCH PUMPEN GmbH 2014

		MARCH PUMPEN GmbH & Co.KG Rathenastraße 2 D-35394 Gießen info@march-pumpen.com www.march-pumpen.com					
		Datum		Name		Explosionsdarstellung <i>Explosion View</i> Baureihe M6 / <i>Series M6</i>	
		Gezeichnet: 24.08.2015		P.Stachon			
		Kontrolliert:					
		Norm:					
						M6_EXPLOSION	
						1	
						A3	
Status	Änderungen	Datum	Name				

