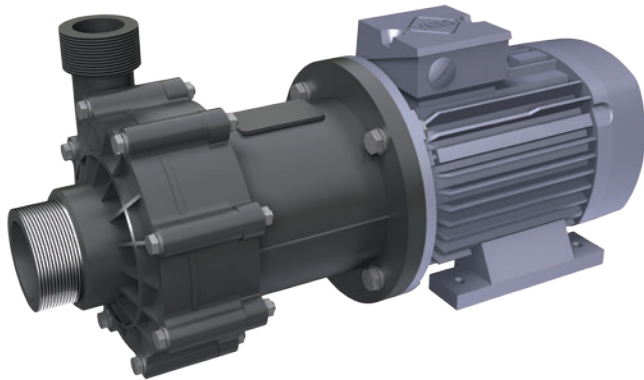


MAGNETIC DRIVEN CHEMICAL CENTRIFUGAL PUMPS

Series EUROLINE

M15.2H



TECHNICAL DATA

| | |
|---------------------------|------------------------|
| Nominal speed: | 2900 1/min |
| Capacity flow, max.: | 23 m ³ /h |
| Discharge head, max.: | 19,5 mWs |
| Design pressure, max.: | 4 bar |
| Design temperature, max.: | PP 60°C PVDF 90°C |
| Density, max.: | 1,9 kg/dm ³ |
| Viscosity, max.: | 200 cP |

APPLICATIONS

Series M / EUROLINE Magnetic Driven Centrifugal Pumps are used especially for a safe handling of corrosive liquids, acids, lyes and solvents. Proven applications e.g. the use as filterpumps in plating industry, such as recirculating pumps in chemical industries and Plants, as well as in food-, pharmaceutical industry and biotechnics.

CONNECTIONS

Suction side: G2" male, Flanged DN50
Discharge side: G1 1/2" male, Flanged DN40

MATERIALS

Housing: PP, PVDF
O-Rings: EPDM, FKM, FFKM, FEP
Bushing: PTFE C25%
Shaft: Al2O3 >99%
Thrust bearing: Al2O3 >99%, PTFE C25%

DESIGN FEATURES

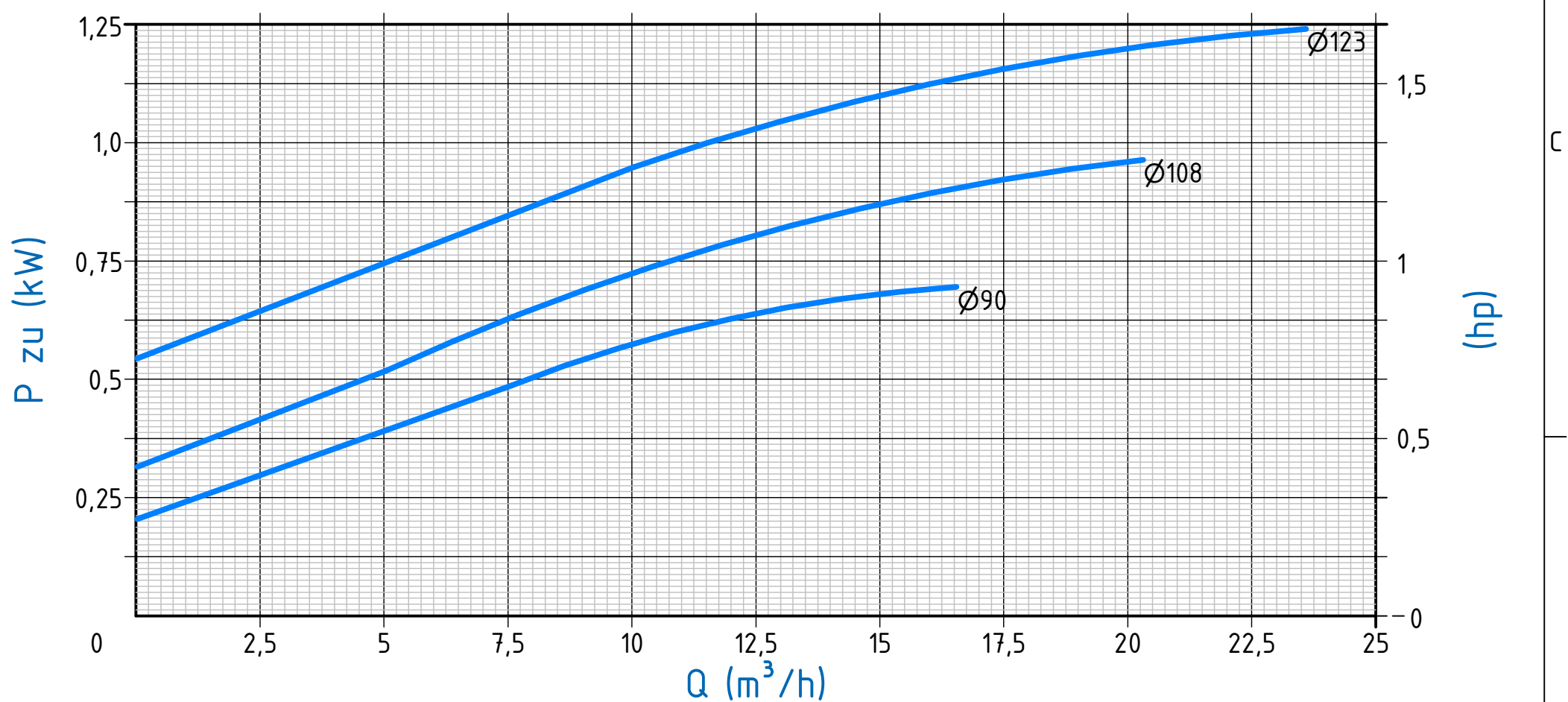
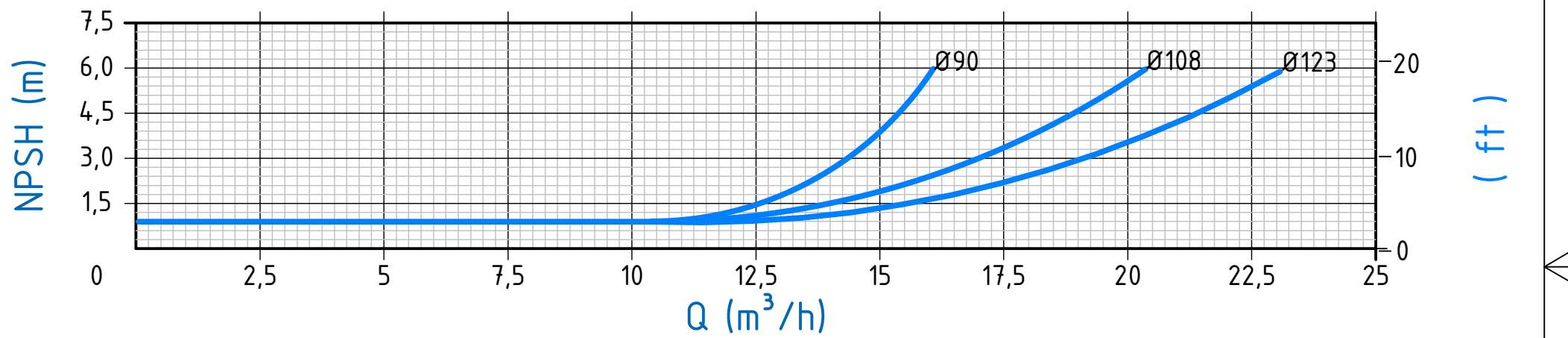
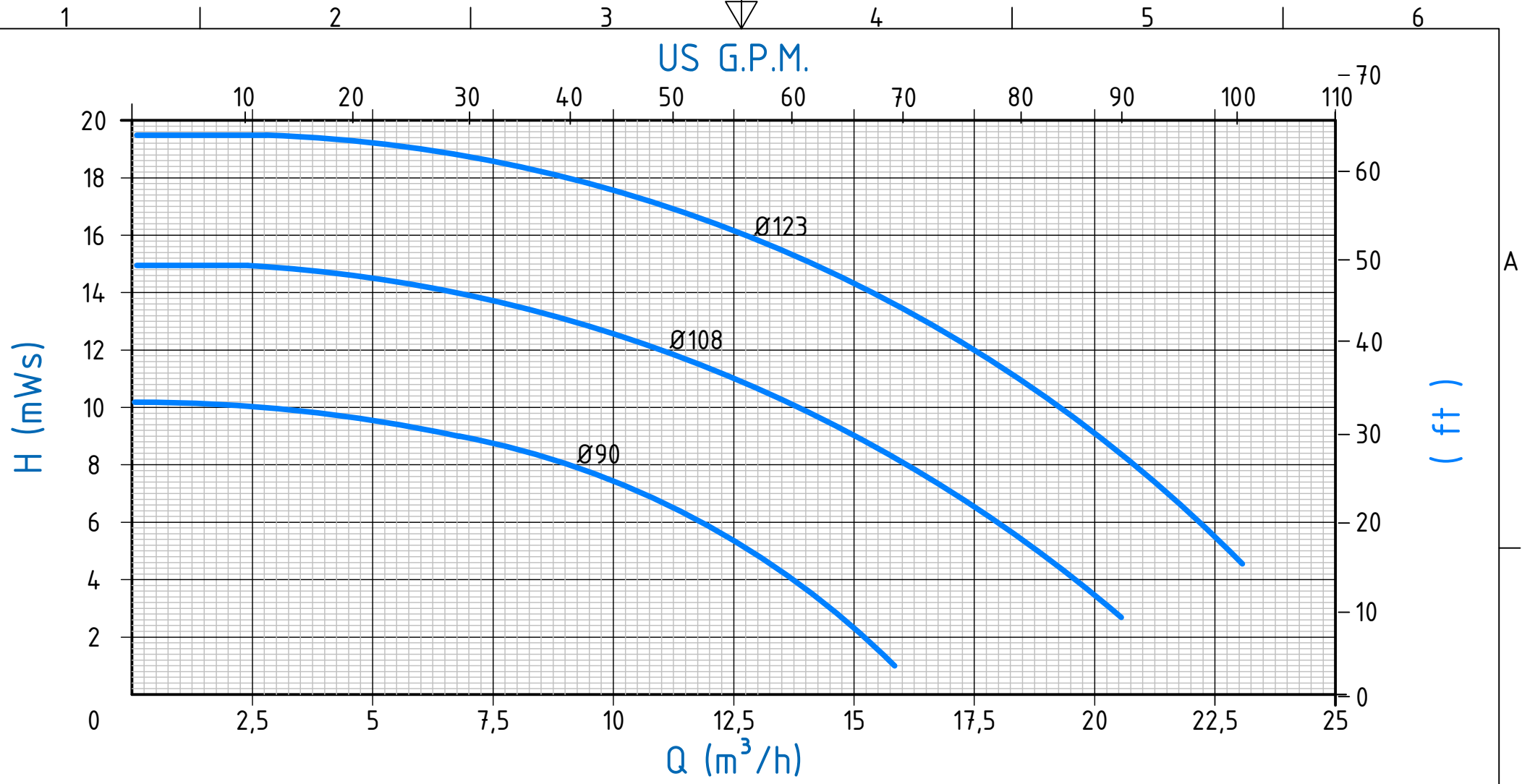
- Centrifugal Pump
- Closed Impeller, capsulated
- Leak-free
- Magnetic driven
- NdFeB permanent magnets
- Closed coupled
- Normal suction
- Wet parts non-metallic
- Maintenance free
- Only a few wear parts
- Pump execution acc. to Ex II3G c Tx


PRODUCT DESCRIPTION

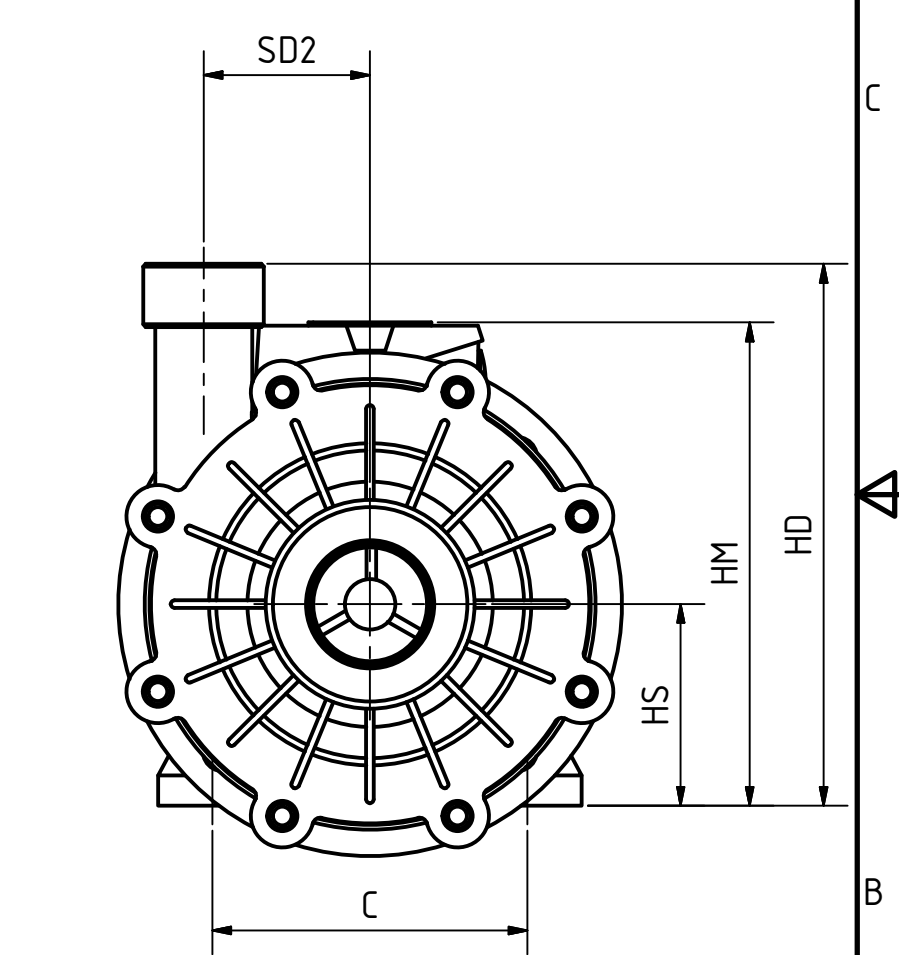
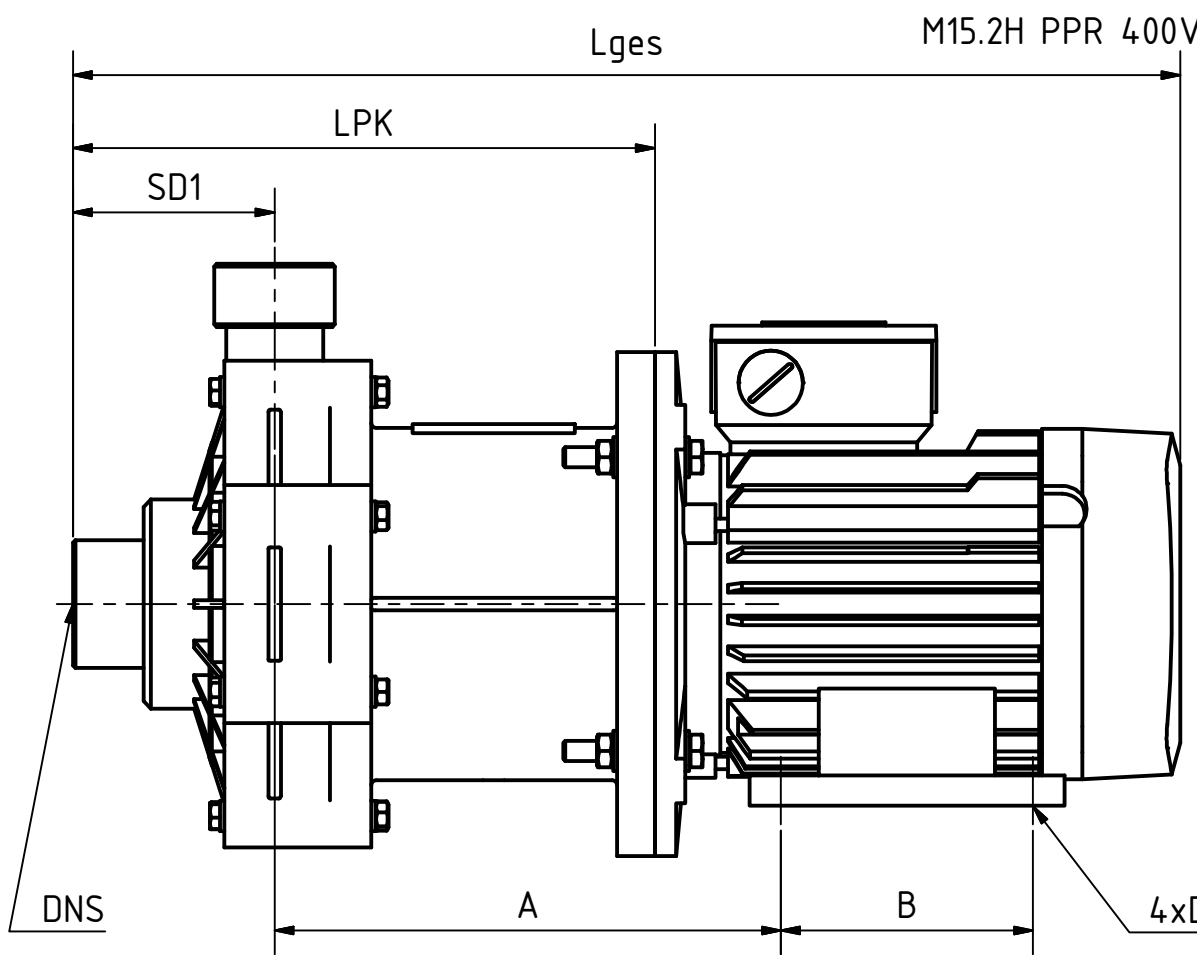
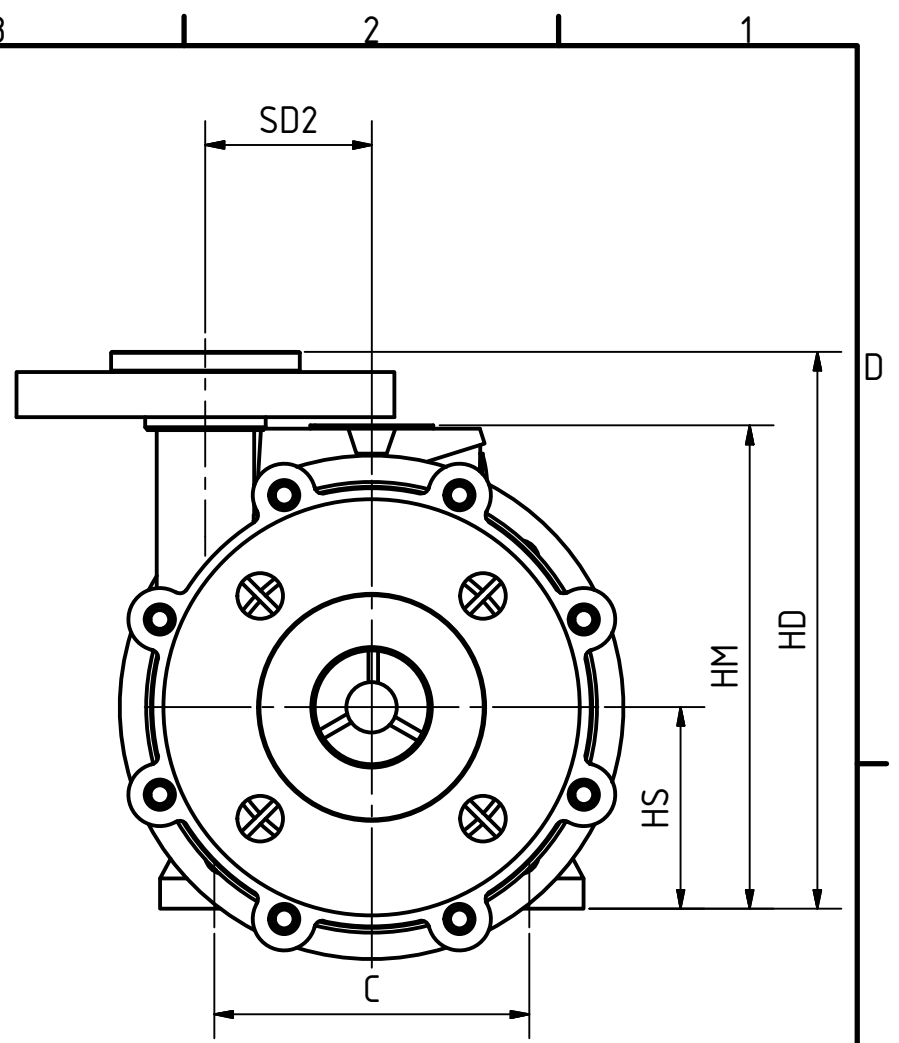
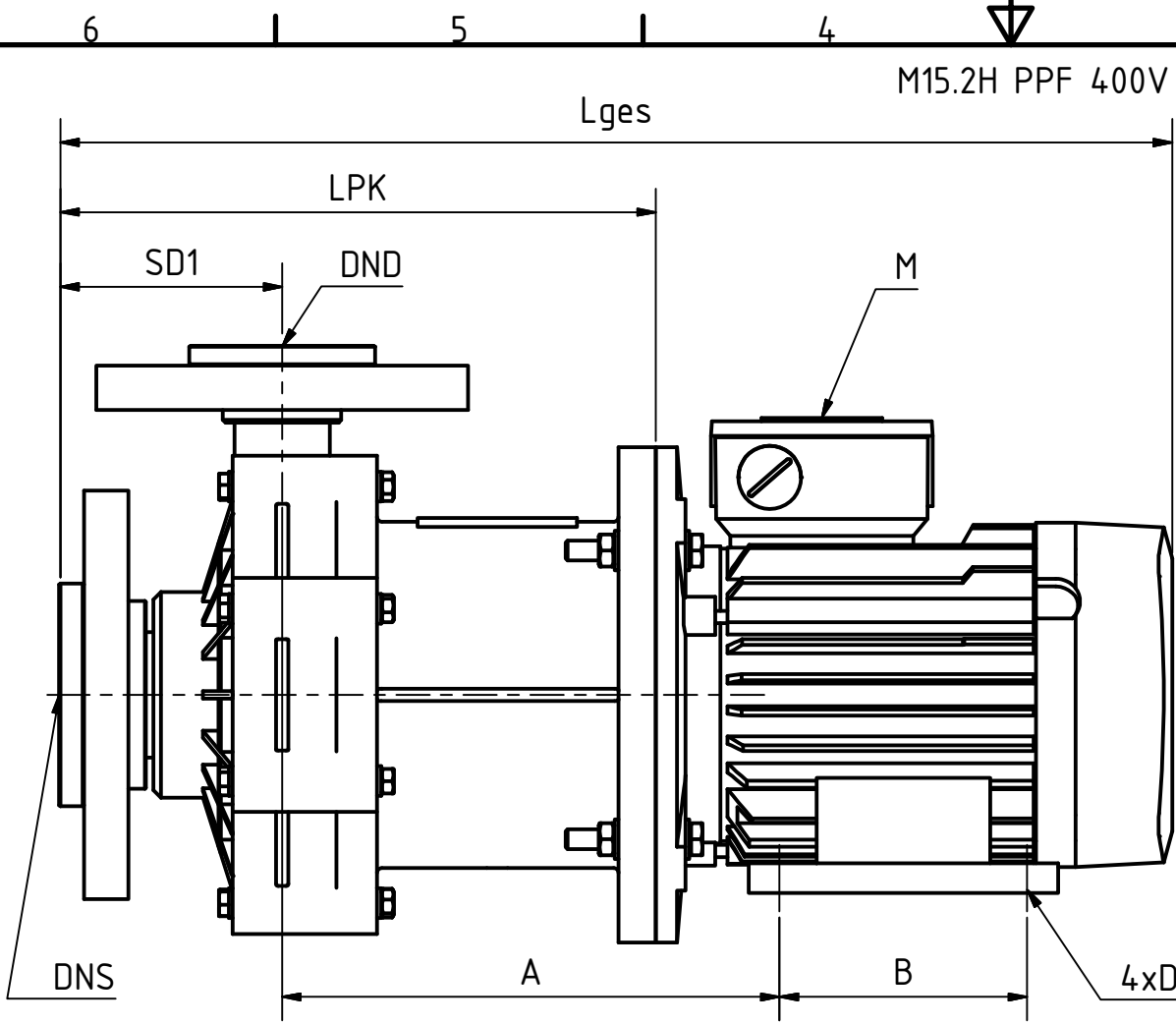
MARCH Magnetic Driven Centrifugal Pumps are designed to work completely without mechanical shaft sealing. The motor power is transmitted by a frictional connection through strong drive magnets to the hydraulic part. MARCH Magnetic Driven Centrifugal Pumps guarantee highest quality standards, economic efficiency and reliability in liquid transfer of aggressive, toxic and environmental threatening liquids.

The pumps are built with molded plastic housing parts and in a closed coupled block design as standard. The modular construction allows a quick exchange of the wetted parts within a few minutes and without special tools. The friction bearing lubrication and cooling is done by the pumped liquid. As the pumps work maintenance-free, an operation without liquid (dry running) has to be avoided. European IEC standard motors according to IEC / EN 600340 are assembled on all Series M / EUROLINE Pumps. Explosion proof models are available upon request. All Series M / EUROLINE pumps can be supplied with BSP/NPT threads, flanges, hose connection or union fitting. The operative limits, especially min. and max. flow rates and the required net positive suction head (NPSH) are important for the trouble-free operation of the pump.





| | | | | | |
|--|----------------|--------------------|-----------------------|-----------------------------|--|
|  <p>MARCH PUMPEN GmbH & Co.KG Rathenaustraße 2 D-35394 Gießen info@march-pumpen.com</p> | Pumpe/ Pump | Drehzahl/ Speed | Lauftrad/ Impeller | Dichte / S.G. | Baureihe / Series : EUROLINE |
| | M15.2H | 2900 RPM | Ø123 | max. 1,9 kg/dm ³ | Typ / Type: M15.2H |
| | | | Ø108 | | Motor: 1,1 kw / IEC BG80 |
| | | | Ø90 | | |



| Abmessungen / Dimensions | | | | | | | | | |
|--------------------------|---------------|-------|--------|--------|---------|--------|------------|----------|----------|
| Pumpentyp | Typ | M | | | | DNS | DND | SD1 [mm] | SD2 [mm] |
| | | U [V] | P [kW] | f [Hz] | n [min] | | | | |
| M15.2H PPF 400V | IEC BG 80 B35 | 400 | 1,1 | 50 | 2900 | DN 50 | DN 40 | 89,5 | 66 |
| M15.2H PPR 400V | | | | | | G 2"AG | G 1 1/2"AG | 80 | |
| M15.2H PPF 400V | IEC BG 90 B35 | 1,5 | | | | DN 50 | DN 40 | 89,5 | |
| M15.2H PPR 400V | | | | | | G 2"AG | G 1 1/2"AG | 80 | |

| Pumpentyp | Lges [mm] | LPK [mm] | A [mm] | B [mm] | C [mm] | ØD [mm] | HS [mm] | HD [mm] | HM [mm] |
|------------------|-----------|----------|--------|--------|--------|---------|---------|---------|---------|
| M15.2H PPF 400 V | 449 | 240 | 201 | 100 | 125 | 10 | 80 | 220,5 | 192 |
| M15.2H PPR 400 V | 439,5 | 230,9 | | | | | | 215 | |
| M15.2H PPF 400 V | 474,9 | 250,9 | 216,9 | 140 | 90 | | 231 | 210 | |
| M15.2H PPR 400 V | 464,4 | 240,9 | | | | | 225 | | |

MARCH PUMPEN GmbH & Co.KG
 Rathenastraße 2
 D-35394 Gießen
www.march-pumpen.com
info@march-pumpen.com

| | | | |
|--------------|------------|-------|------|
| | | DATUM | Name |
| Gezeichnet | 08.06.2017 | MS | |
| Kontrolliert | 08.06.2017 | PL | |
| Norm | | | |
| Status | Änderungen | DATUM | Name |

Alle Angaben unverbindlich, technische Änderungen vorbehalten!
 Technical data not binding and subject to change!
 Copyright MARCH PUMPEN GmbH & Co.KG 2017

Abmessungen
 Dimensional Drawing
 EUROLINE M15.2H

DPGE-0152 1
A3