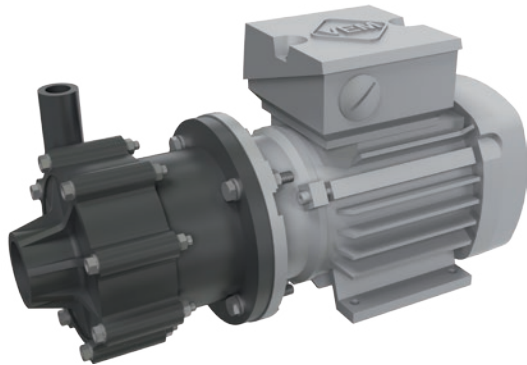


MAGNETIC DRIVEN CHEMICAL CENTRIFUGAL PUMPS

Series EUROLINE

M4.2H



TECHNICAL DATA

Nominal speed:	2900 1/min
Capacity flow, max.:	3,5 m ³ /h
Discharge head, max.:	7,2 mWs
Design pressure, max.:	4 bar
Design temperature, max.:	PP 60°C PVDF 90°C
Density, max.:	1,9 kg/dm ³
Viscosity, max.:	200 cP

APPLICATIONS

Series M / EUROLINE Magnetic Driven Centrifugal Pumps are used especially for a safe handling of corrosive liquids, acids, lyes and solvents. Proven applications e.g. the use as filterpumps in plating industry, such as recirculating pumps in chemical industries and Plants, as well as in food-, pharmaceutical industry and biotechnics.

CONNECTIONS

Suction side: G1" female, Flanged DN25
Discharge side: G 1/2" male, Flanged DN15

MATERIALS

Housings: PP, PVDF
O-Rings: EPDM, FKM, FFKM, FEP
Bushings: PTFE C25%
Shaft: Al2O3 >99%
Thrust bearings: Al2O3 >99%, PTFE C25%

DESIGN FEATURES

- Centrifugal Pump
- Open Impeller, capsulated
- Leak-free
- Magnetic driven
- NdFeB permanent magnets
- Closed coupled
- Normal suction
- Wet parts non-metallic
- Maintenance free
- Only a few wear parts
- Pump execution acc. to Ex II3G c Tx

PRODUCT DESCRIPTION

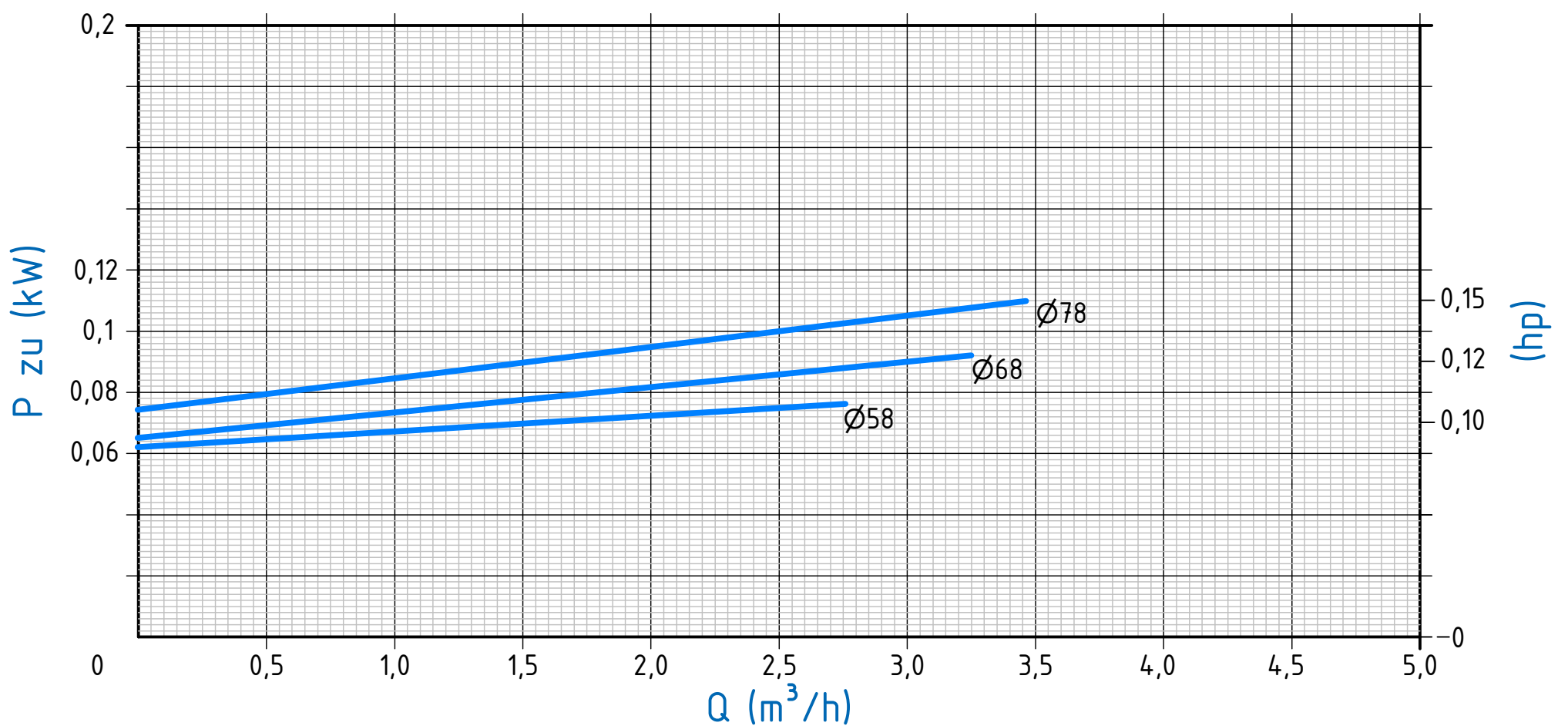
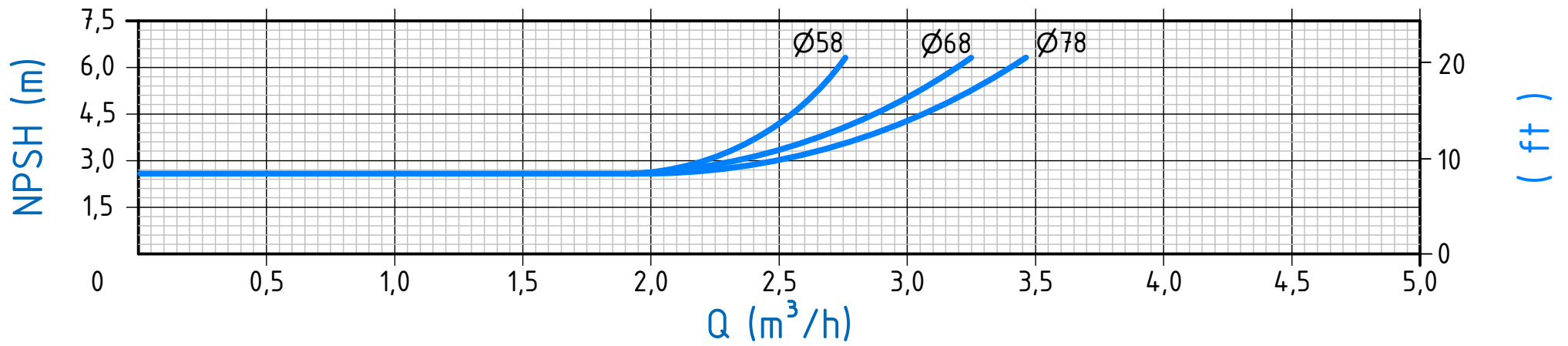
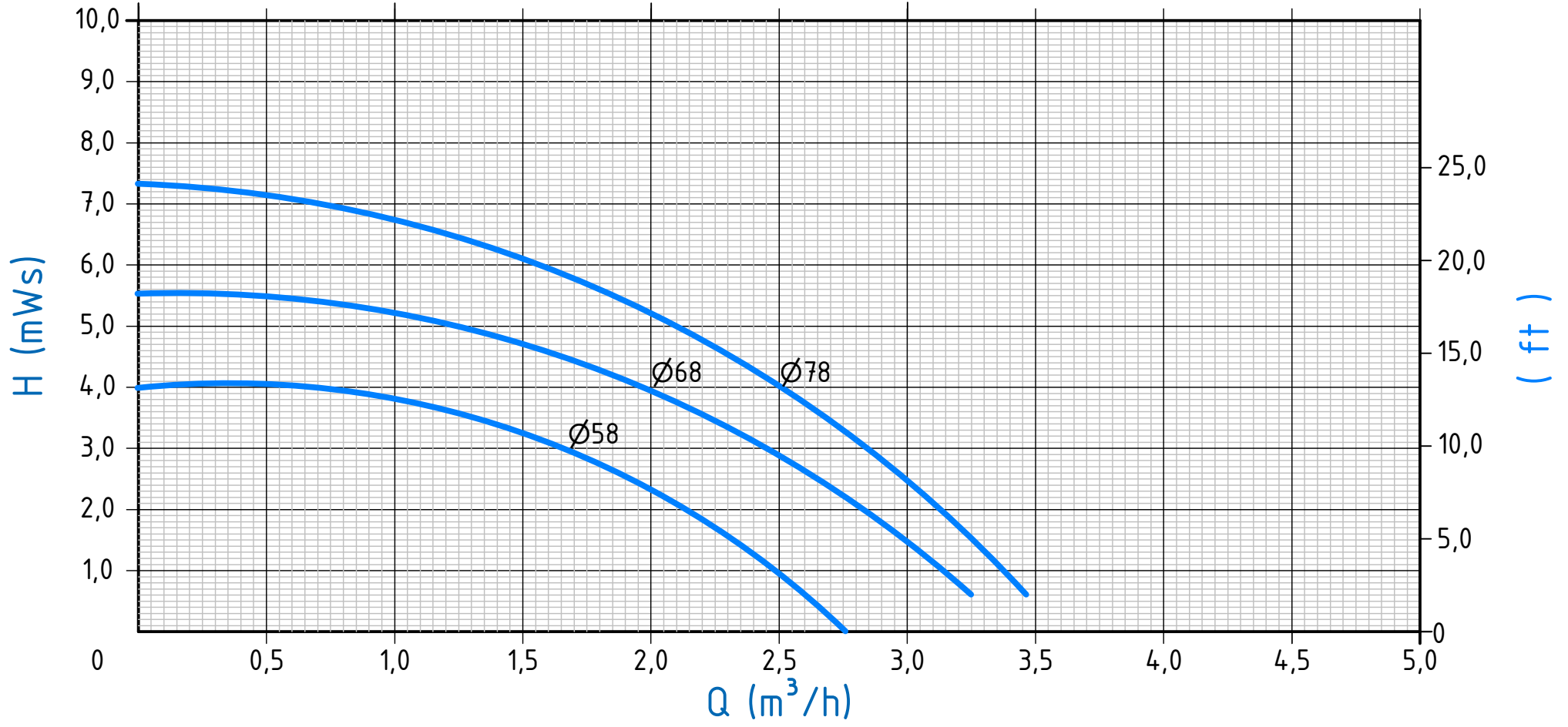
MARCH Magnetic Driven Centrifugal Pumps are designed to work completely without mechanical shaft sealing. The motor power is transmitted by a frictional connection through strong drive magnets to the hydraulic part. MARCH Magnetic Driven Centrifugal Pumps guarantee highest quality standards, economic efficiency and reliability in liquid transfer of aggressive, toxic and environmental threatening liquids.

The pumps are built with molded plastic housing parts and in a closed coupled block design as standard. The modular construction allows a quick exchange of the wetted parts within a few minutes and without special tools. The friction bearing lubrication and cooling is done by the pumped liquid. As the pumps work maintenance-free, an operation without liquid (dry running) has to be avoided. European IEC standard motors according to IEC / EN 600340 are assembled on all Series M / EUROLINE Pumps. Explosion proof models are available upon request. All Series M / EUROLINE pumps can be supplied with BSP/NPT threads, flanges, hose connection or union fitting. The operative limits, especially min. and max. flow rates and the required net positive suction head (NPSH) are important for the trouble-free operation of the pump.



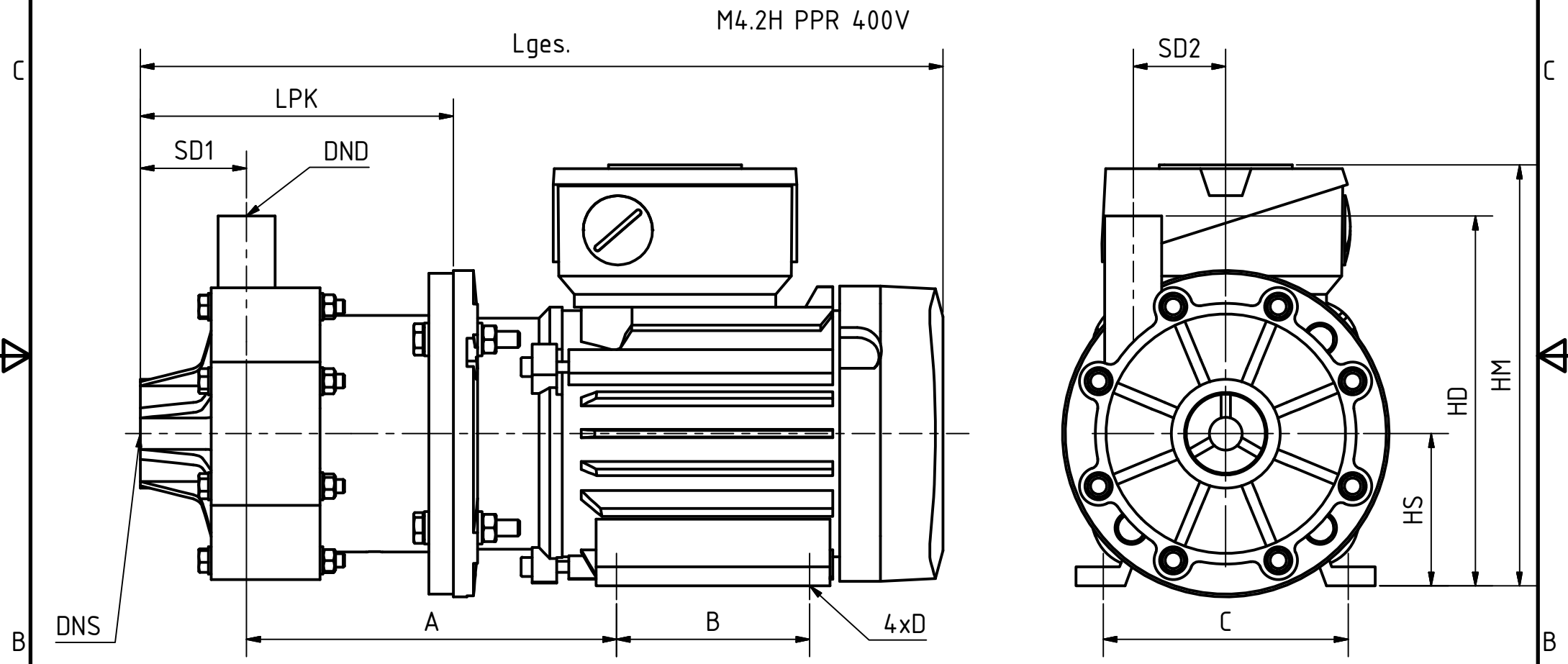
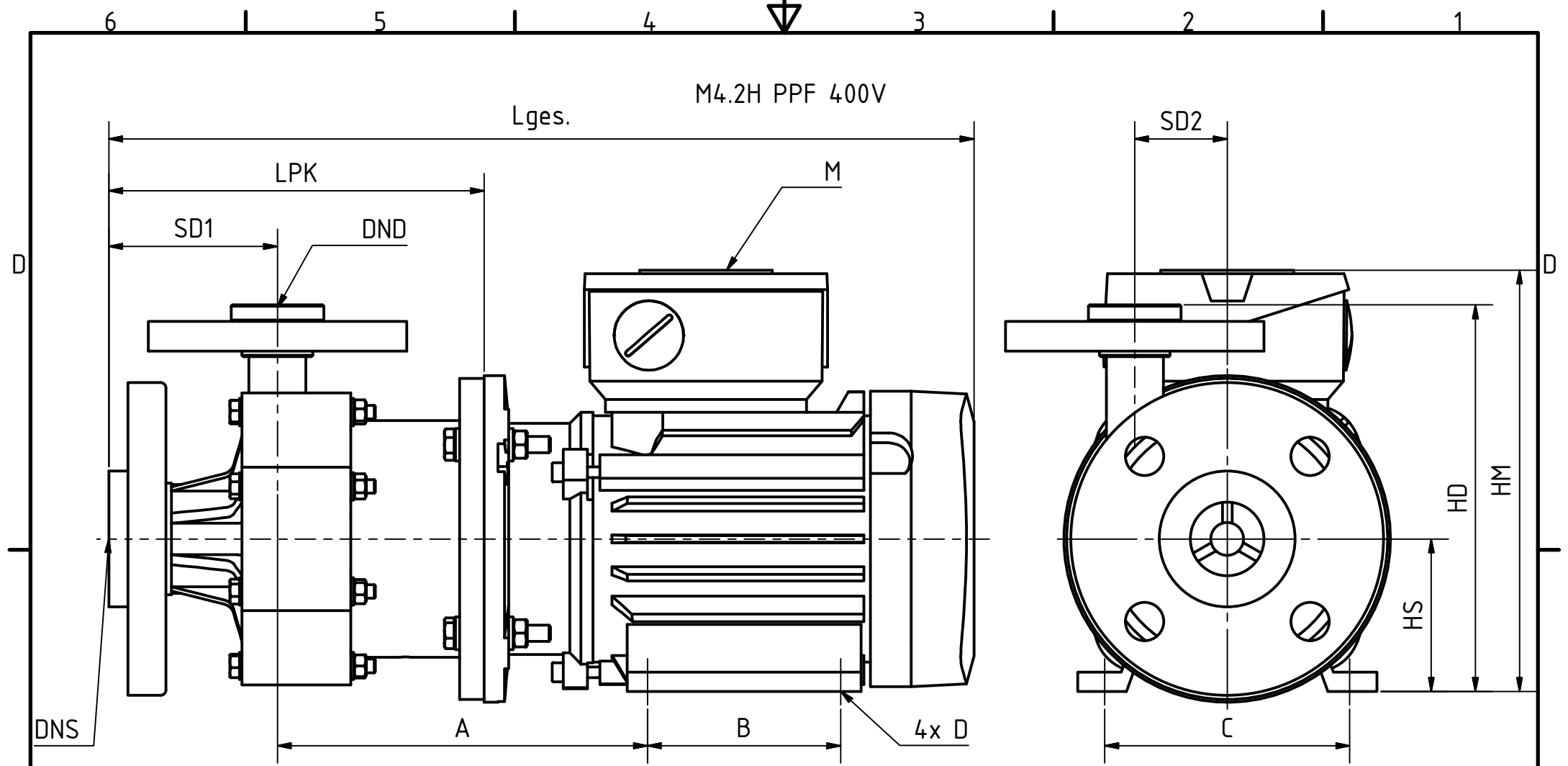
US G.P.M.

4,4 8,8 13,2



MARCH PUMPEN GmbH & Co.KG
 Rathenastraße 2
 D-35394 Gießen
 info@march-pumpen.com
 www.march-pumpen.com

Pumpe/ Pump	Drehzahl/ Speed	Lauftrad/ Impeller	Dichte / S.G.	Baureihe / Series :
				EUROLINE
M4.2H	2900 RPM	Ø78	max. 1,9 kg/dm ³	Typ / Type:
		Ø68		M4.2H
		Ø58		Motor:
				0,12 kw / IEC BG56

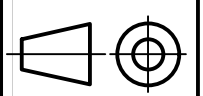


Abmessungen / Dimensions								DNS	DND	SD1	SD2
Pumpentyp	M										
	Typ	U [V]	P [kW]	f [Hz]	n [1/min]			[mm]	[mm]		
M4.2H PPF 400V	IEC BG 56 B35	400	0,12	50	2900		DN 25	DN 15	62	34	
M4.2H PPR 400V						G 1"IG	G 1/2" AG	39			

Pumpentyp	Lges	LPK	A	B	C	ØD	HS	HD	HM
	[mm]	[mm]	[mm]	[mm]	[mm]	[mm]	[mm]	[mm]	[mm]
M4.2H PPF 400 V	318	138	136	71	90	6	56	142	154,8
M4.2H PPR 400 V	295	115						136	



MARCH PUMPEN GmbH & Co.KG
 Rathenastraße 2
 D-35394 Gießen
 www.march-pumpen.com
 info@march-pumpen.com



Alle Angaben unverbindlich, technische Änderungen vorbehalten!
 Technical data not binding and subject to change!
 Copyright MARCH PUMPEN GmbH & Co.KG 2017

Status	Änderungen	DATUM	Name

DATUM	Name
Gezeichnet 08.06.2017	MS
Kontrolliert 08.06.2017	PL
Norm	

Abmessungen
 Dimensional Drawing
 EUROLINE M4.2H

DPGE-0042

1
 A3