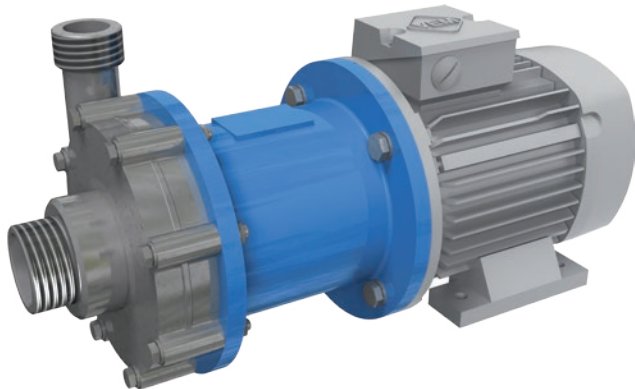


MAGNETIC DRIVEN CENTRIFUGAL PUMPS

Series EUROLINE

M15.1



TECHNICAL DATA

Nominal speed:	2900 1/min
Capacity flow, max.:	23 m ³ /h
Discharge head, max.:	19 mWs
Design pressure, max.:	16 bar
Design temperature, max.:	120°C
Density, max.:	1,9 kg/dm ³
Viscosity, max.:	200 cP

APPLICATIONS

Series M / EUROLINE Magnetic Driven Centrifugal Pumps are used especially for a safe handling of corrosive liquids, acids, lyes and solvents. Proven applications e.g. the use as filterpumps in plating industry, such as recirculating pumps in chemical industries and Plants, as well as in food-, pharmaceutical industry and biotechnics.

CONNECTIONS

Suction side: G2" male, Flanged DN50
Discharge side: G1 1/2" male, Flanged DN40

MATERIALS

Housing: AISI316L
O-Ring: EPDM, FKM, FEP
Bushing: PTFE C25%, Carbon-Graphite, SiC
Shaft: SiC, Hastelloy C, AISI316
Thrust bearing: PTFE C25%, Carbon-Graphite

DESIGN FEATURES

- Centrifugal Pump
- Closed Impeller, capsulated
- Leak-free
- Magnetic driven
- NdFeB or CoSm permanent magnets
- Closed coupled
- Normal suction
- Metallic
- Maintenance free
- Only a few wear parts
- Pump execution acc. to Ex II2G cbk T3-5

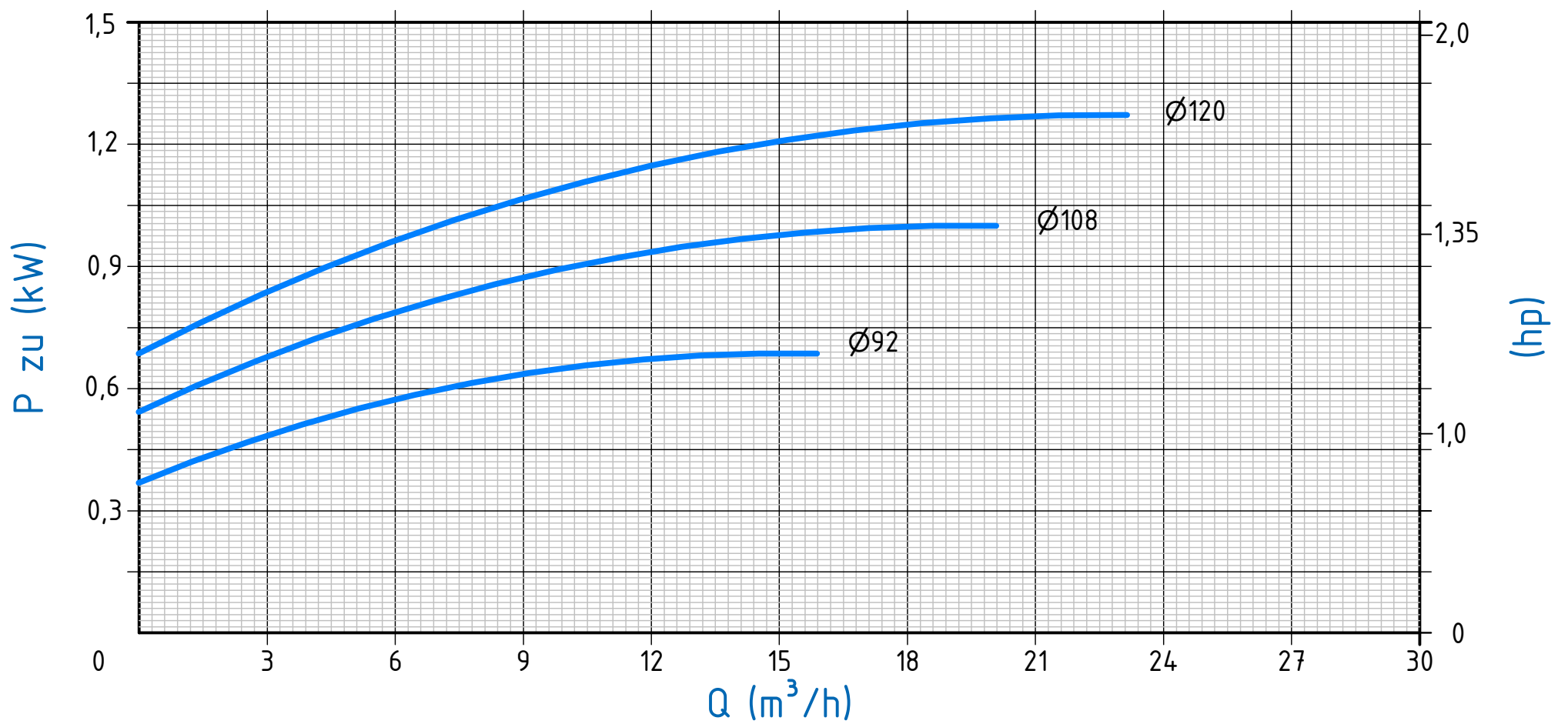
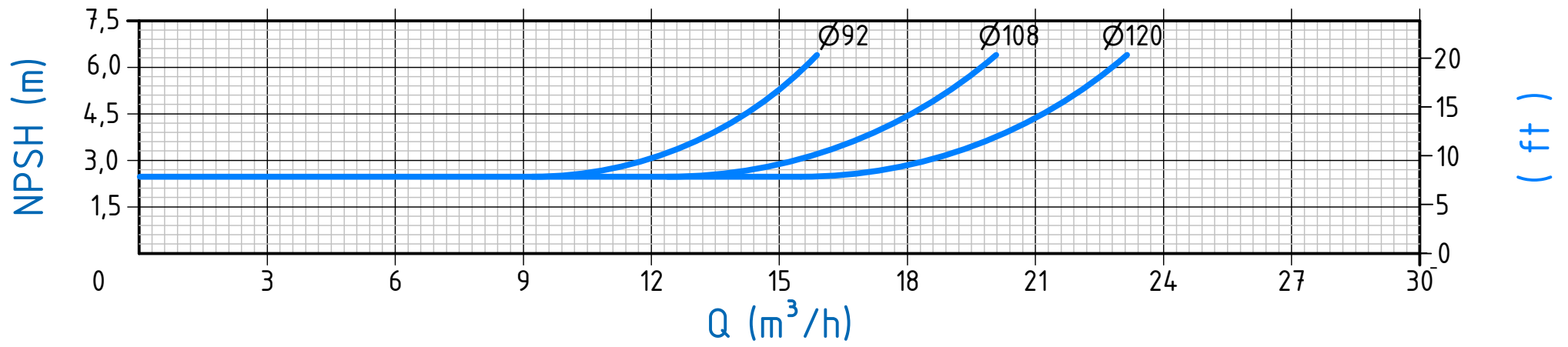
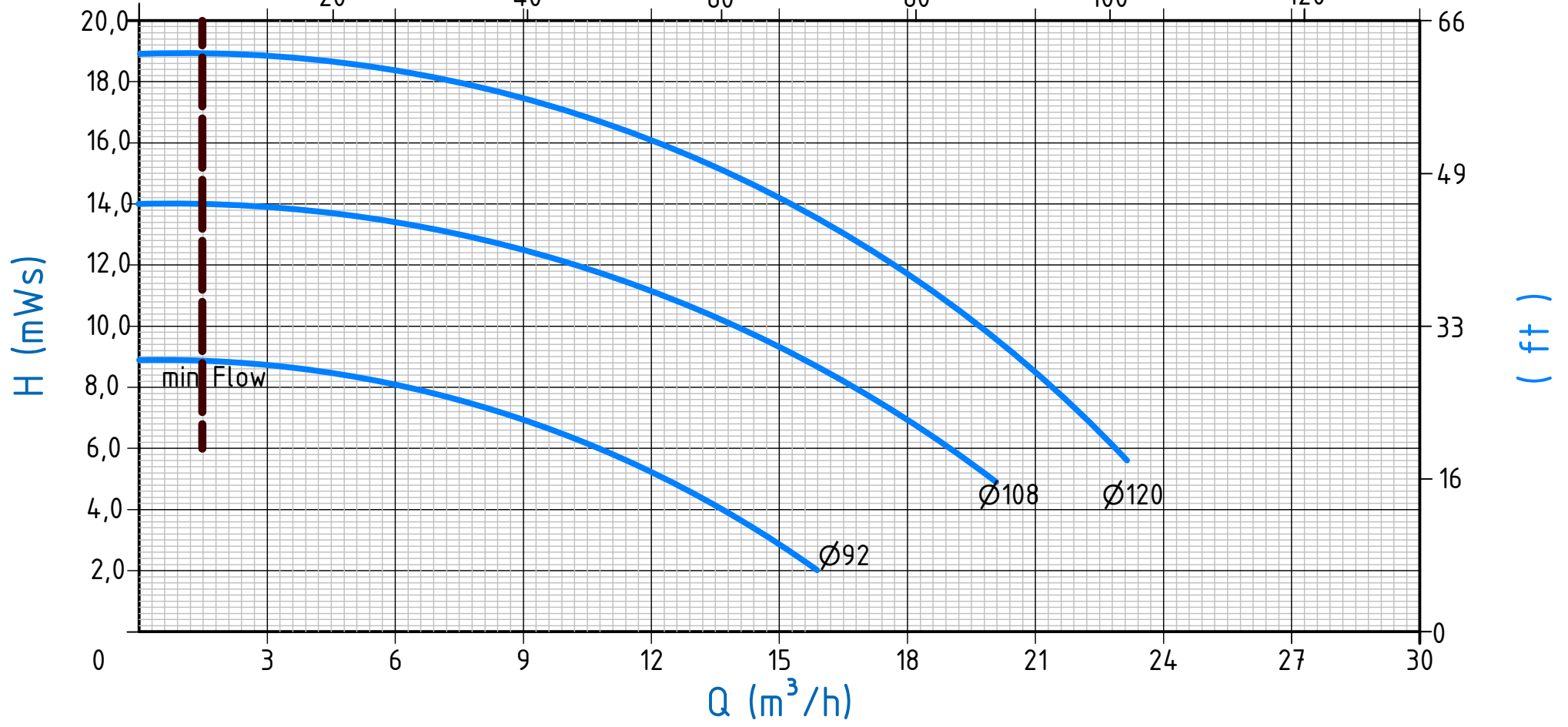
PRODUCT DESCRIPTION


MARCH Magnetic Driven Centrifugal Pumps are designed to work completely without mechanical shaft sealing. The motor power is transmitted by a frictional connection through strong drive magnets to the hydraulic part. MARCH Magnetic Driven Centrifugal Pumps guarantee highest quality standards, economic efficiency and reliability in liquid transfer of aggressive, toxic and environmental threatening liquids.

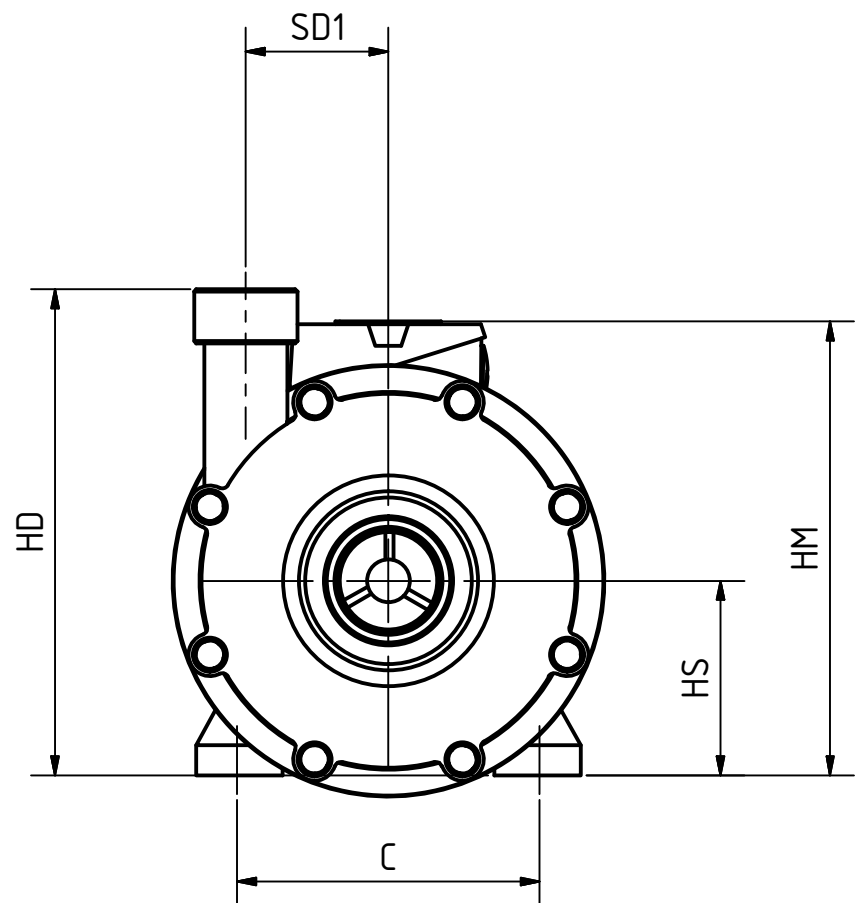
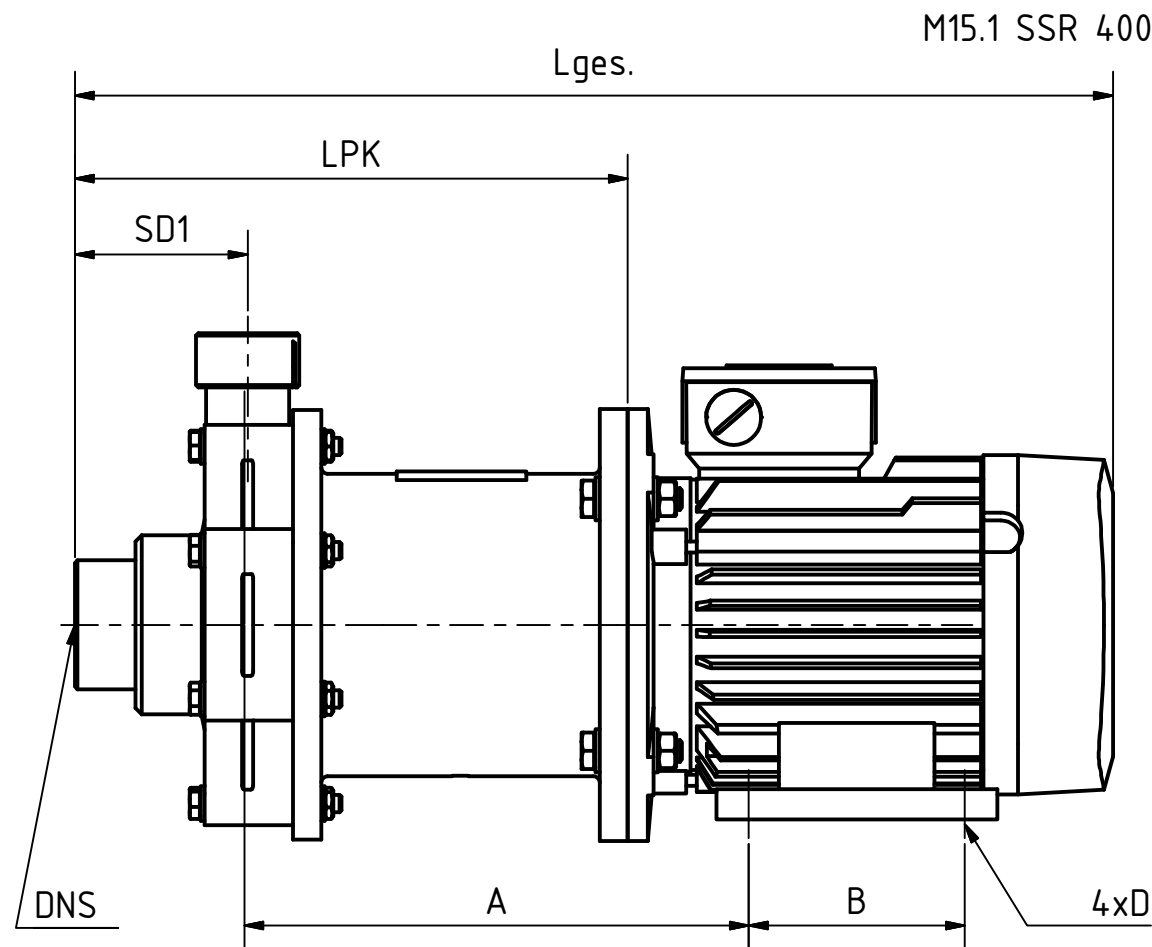
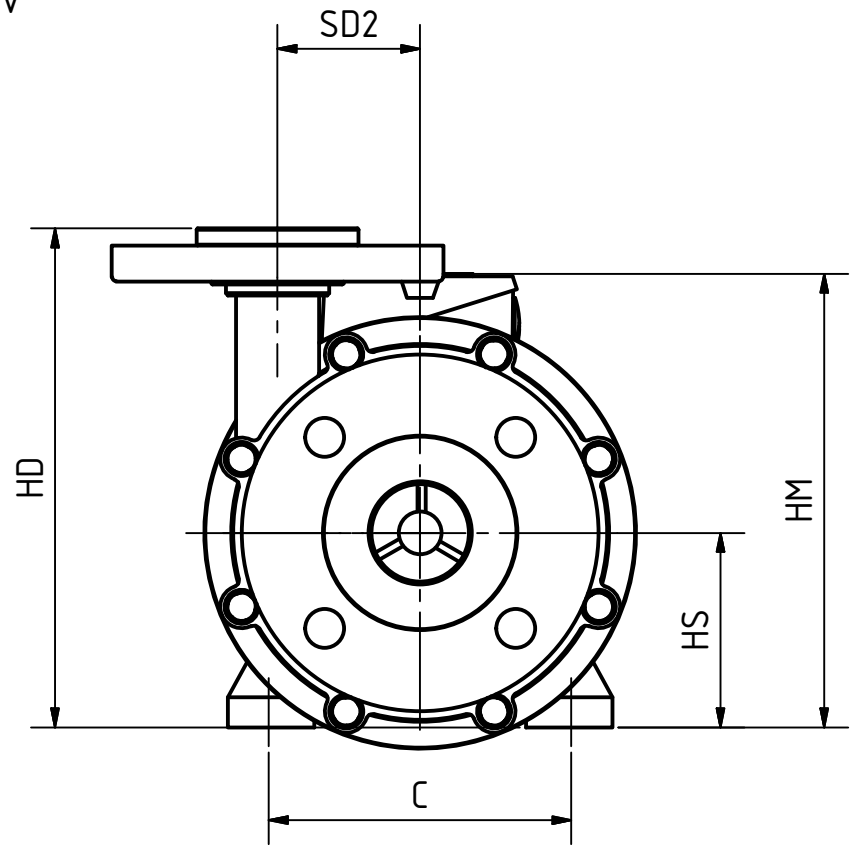
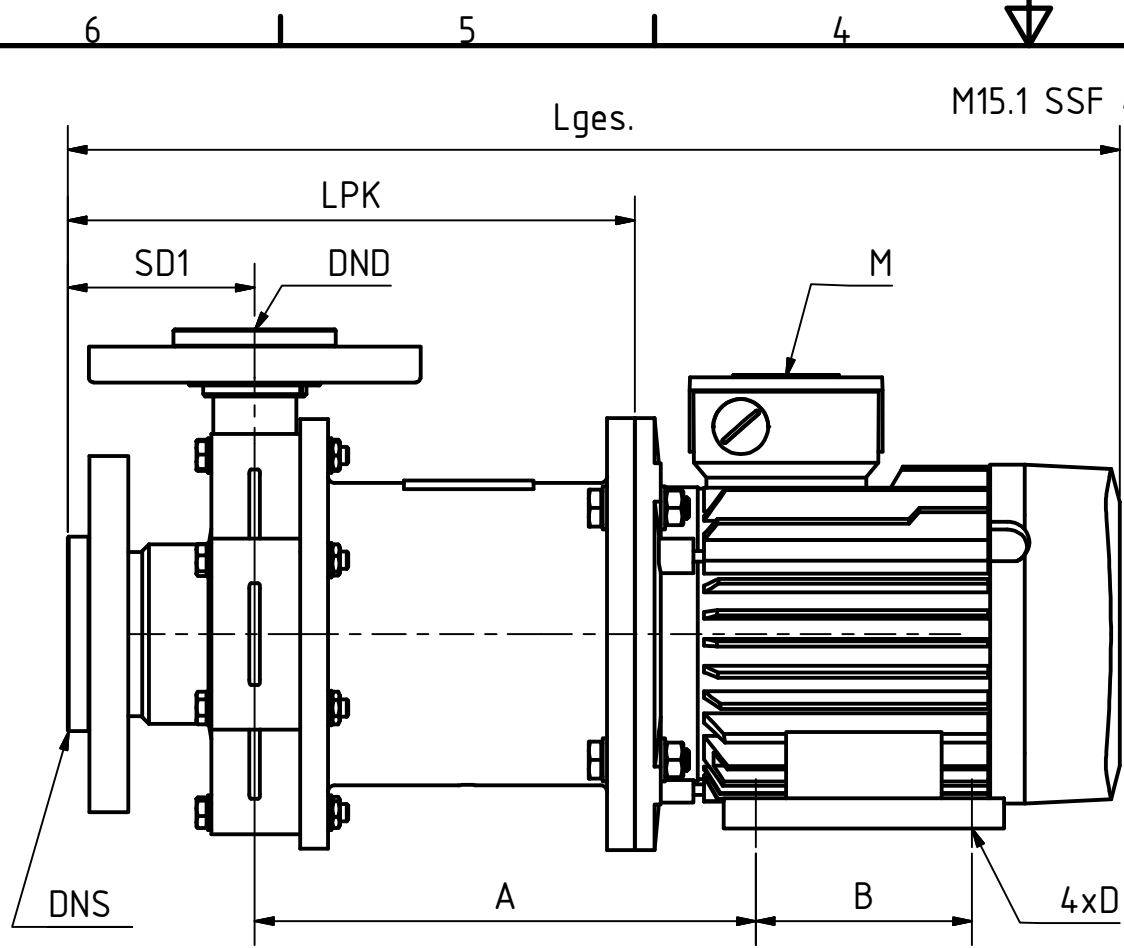
The pumps are built with stainless steel housing parts and in a closed coupled block design as standard. The modular construction allows a quick exchange of the wetted parts within a few minutes and without special tools. The friction bearing lubrication and cooling is done by the pumped liquid. As the pumps work maintenance-free, an operation without liquid (dry running) has to be avoided. European IEC standard motors according to IEC / EN 600340 are assembled on all Series M / EUROLINE Pumps. Explosion proof models are available upon request. All Series M / EUROLINE pumps can be supplied with BSP/NPT threads, flanges, hose connection or union fitting. The operative limits, especially min. and max. flow rates and the required net positive suction head (NPSH) are important for the trouble-free operation of the pump.



US G.P.M.



 <p>MARCH PUMPEN GmbH & Co.KG Rathenastraße 2 D-35394 Gießen info@march-pumpen.com www.march-pumpen.com</p>	Pumpe/ Pump	Drehzahl/ Speed	Lauftrad/ Impeller	Dichte / S.G.	Baureihe / Series :
	M15.1	2900 RPM	Ø120	max. 1,9 kg/dm ³	EUROLINE
			Ø108		Typ / Type:
		Ø92			M15.1
					Motor:
					1,5 kW IEC BG90



Pumpentyp	Abmessungen / Dimensions								
	Typ	U [V]	P [kW]	f [Hz]	n [min]	DNS	DND	SD1 [mm]	SD2 [mm]
M15.1 SSF 400V	IEC BG 90 B35	400	1,5	50	2900	-	-	86,5	66
M15.1 SSR 400V						DN 50 G2" AG	DN 40 G1 1/2" AG		

Pumpentyp	Lges [mm]	LPK [mm]	A [mm]	B [mm]	C [mm]	ØD [mm]	HS [mm]	HD [mm]	HM [mm]
M15.1 SSF 400V	487	262,5	232	100	140	10	90	231	210
M15.1 SSR 400V	480,5	256						225	



Alle Angaben unverbindlich, technische Änderungen vorbehalten!
 Technical data not binding and subject to change!
 Copyright MARCH PUMPEN GmbH & Co.KG 2017

Status	Änderungen	DATUM	Name

DATUM	Name
Gezeichnet 22.05.2017	MS
Kontrolliert 12.06.2017	PL
Norm	

Abmessungen
 Dimensional Drawing
 EUROLINE M15.1

DPGE-0151

1
 A3