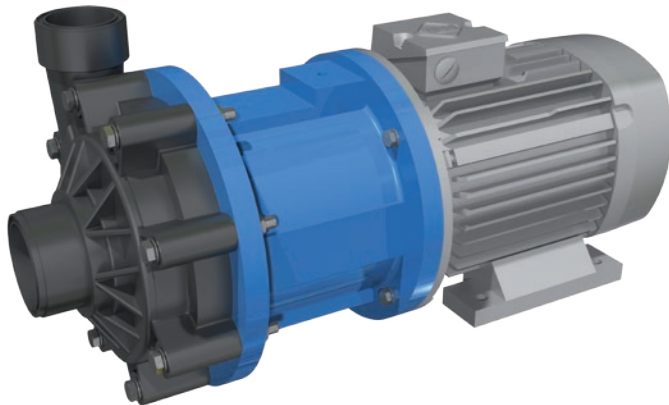


MAGNETIC DRIVEN CHEMICAL CENTRIFUGAL PUMPS

Series EUROLINE

M50.2H



TECHNICAL DATA

Nominal speed:	2900 1/min
Capacity flow, max.:	56 m ³ /h
Discharge head, max.:	32 mWs
Design pressure, max.:	4 bar
Design temperature, max.:	PP 60°C PVDF 90°C
Density, max.:	1,9 kg/dm ³
Viscosity, max.:	200 cP

APPLICATIONS

Series M / EUROLINE Magnetic Driven Centrifugal Pumps are used especially for a safe handling of corrosive liquids, acids, lyes and solvents. Proven applications e.g. the use as filterpumps in plating industry, such as recirculating pumps in chemical industries and Plants, as well as in food-, pharmaceutical industry and biotechnics.

CONNECTIONS

Suction side: G3" male, Flanged DN80
Discharge side: G2 1/2" male, Flanged DN65

MATERIALS

Housing: PP, PVDF
O-Ring: EPDM, FKM, FFKM, FEP
Bushing: PTFE C25%
Shaft: Al2O3 >99%
Thrust bearing: Al2O3 >99%, PTFE C25%

DESIGN FEATURES

- Centrifugal Pump
- Closed Impeller, capsulated
- Leak-free
- Magnetic driven
- NdFeB permanent magnets
- Closed coupled
- Normal suction
- Wet parts non-metallic
- Maintenance free
- Only a few wear parts
- Pump execution acc. to Ex II3G c Tx

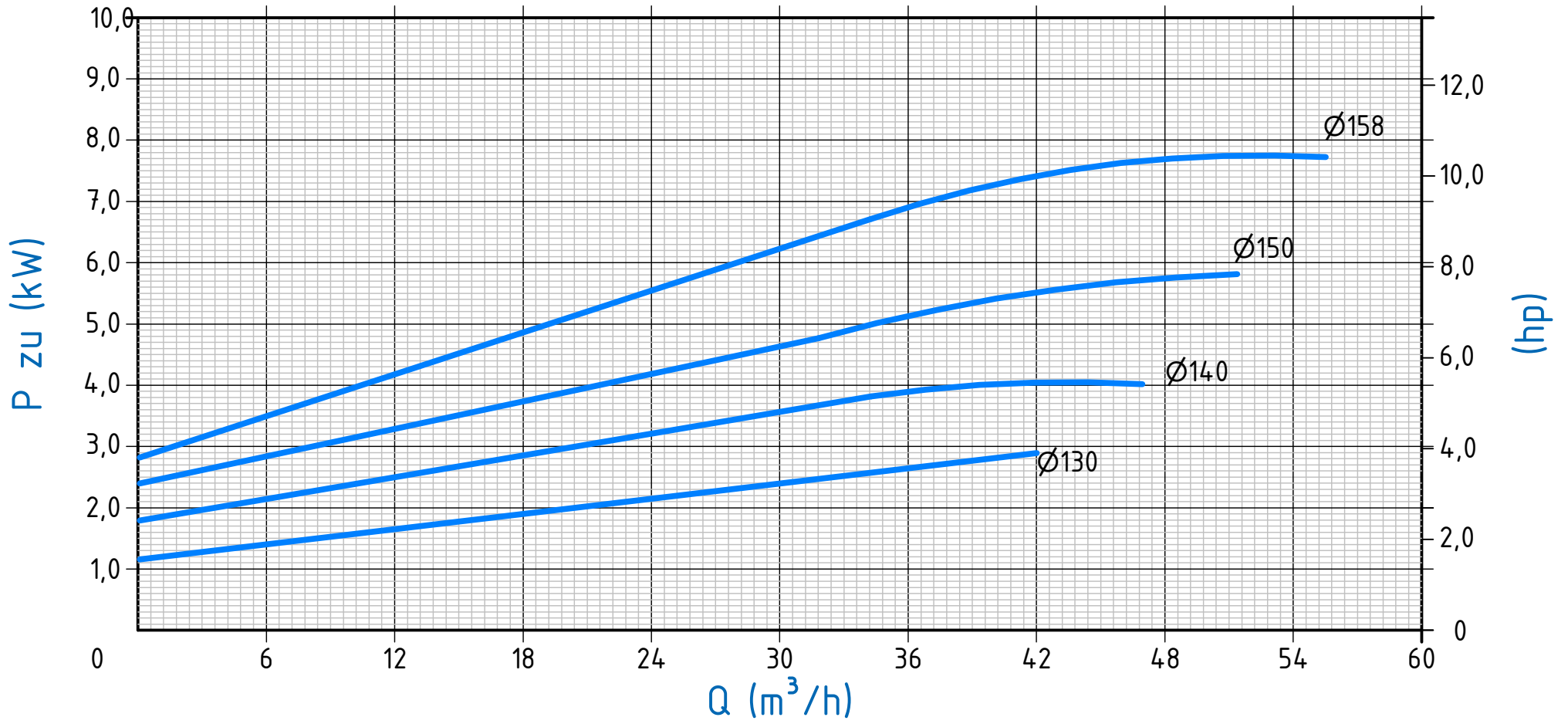
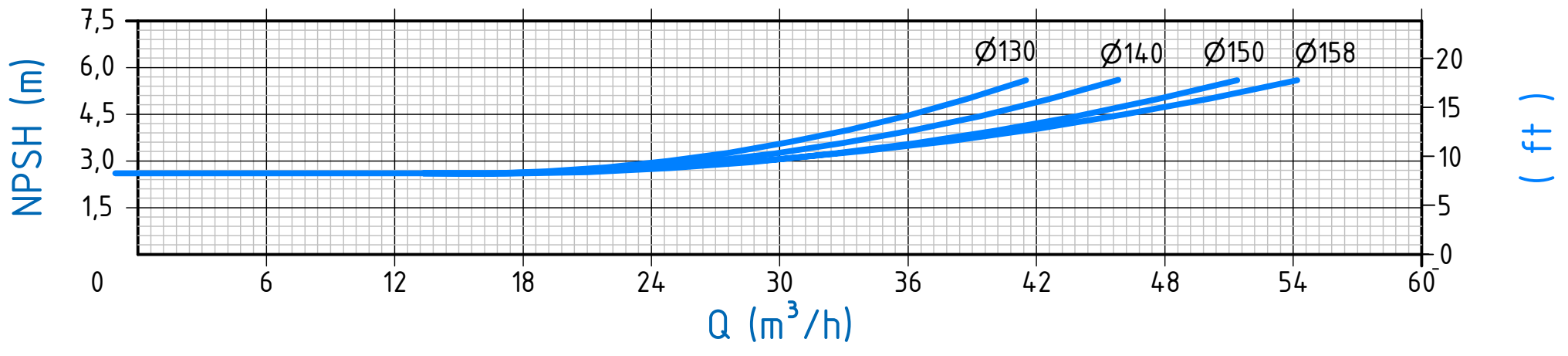
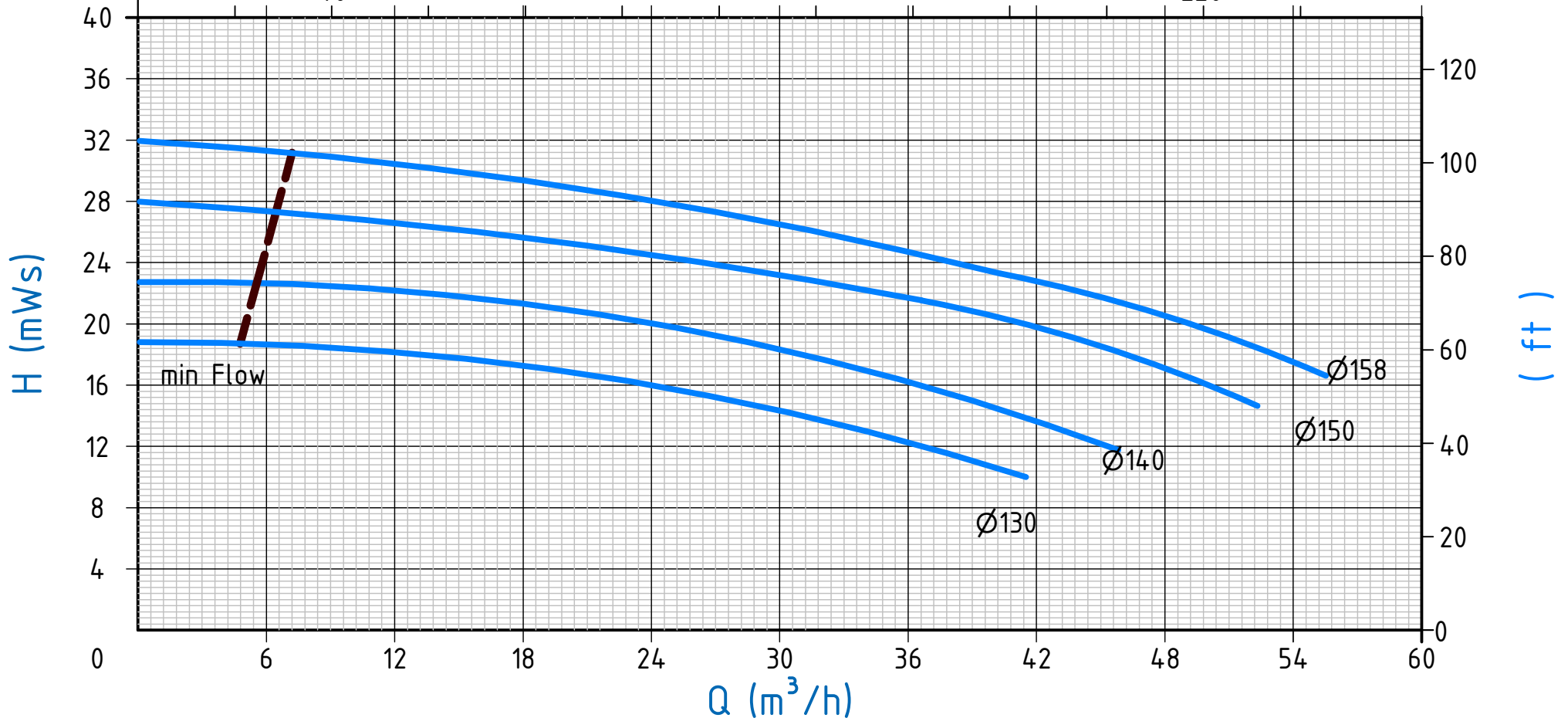
PRODUCT DESCRIPTION


MARCH Magnetic Driven Centrifugal Pumps are designed to work completely without mechanical shaft sealing. The motor power is transmitted by a frictional connection through strong drive magnets to the hydraulic part. MARCH Magnetic Driven Centrifugal Pumps guarantee highest quality standards, economic efficiency and reliability in liquid transfer of aggressive, toxic and environmental threatening liquids.

The pumps are built with molded plastic housing parts and in a closed coupled block design as standard. The modular construction allows a quick exchange of the wetted parts within a few minutes and without special tools. The friction bearing lubrication and cooling is done by the pumped liquid. As the pumps work maintenance-free, an operation without liquid (dry running) has to be avoided. European IEC standard motors according to IEC / EN 600340 are assembled on all Series M / EUROLINE Pumps. Explosion proof models are available upon request. All Series M / EUROLINE pumps can be supplied with BSP/NPT threads, flanges, hose connection or union fitting. The operative limits, especially min. and max. flow rates and the required net positive suction head (NPSH) are important for the trouble-free operation of the pump.

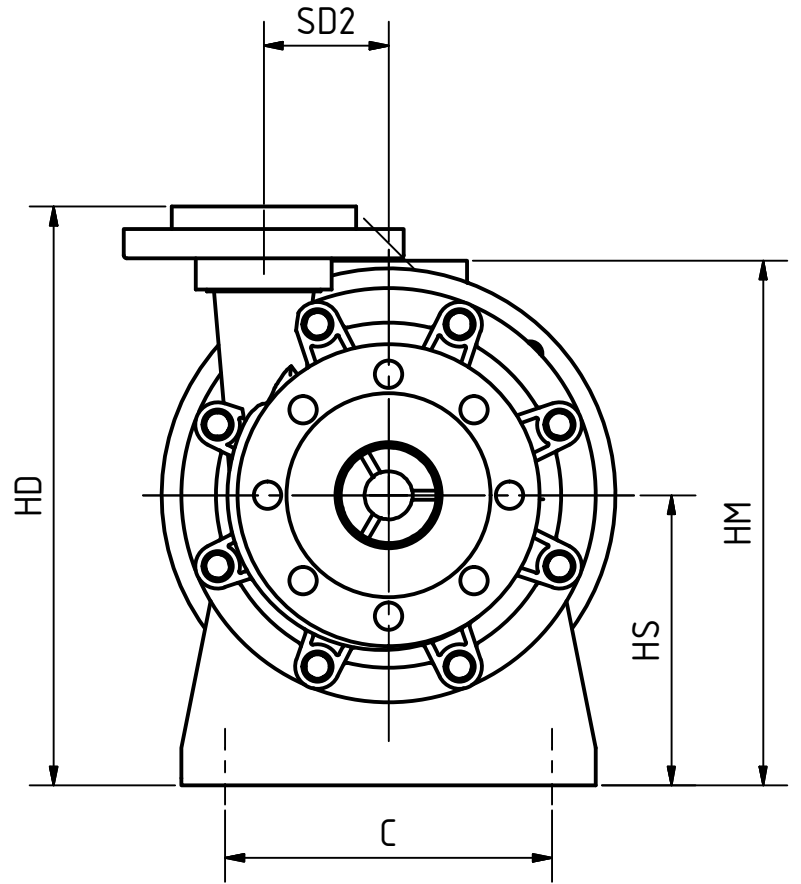
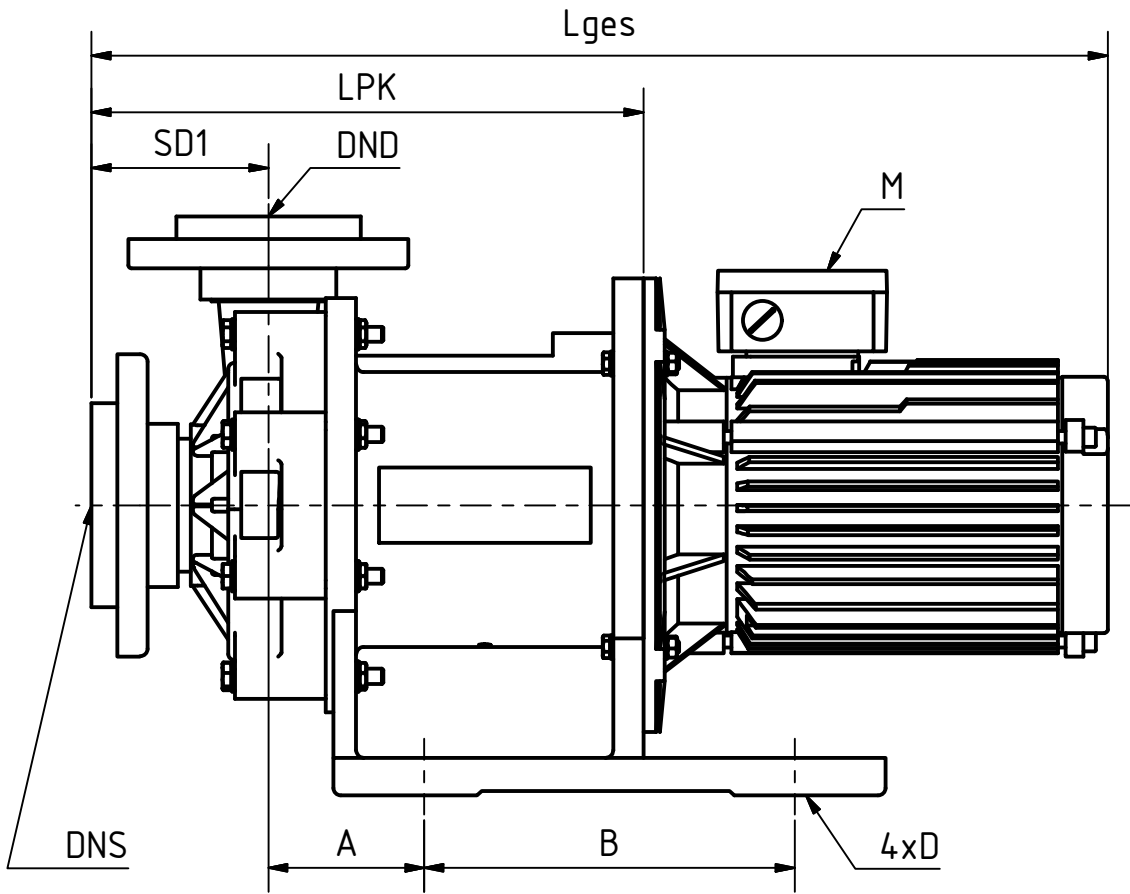


US G.P.M.

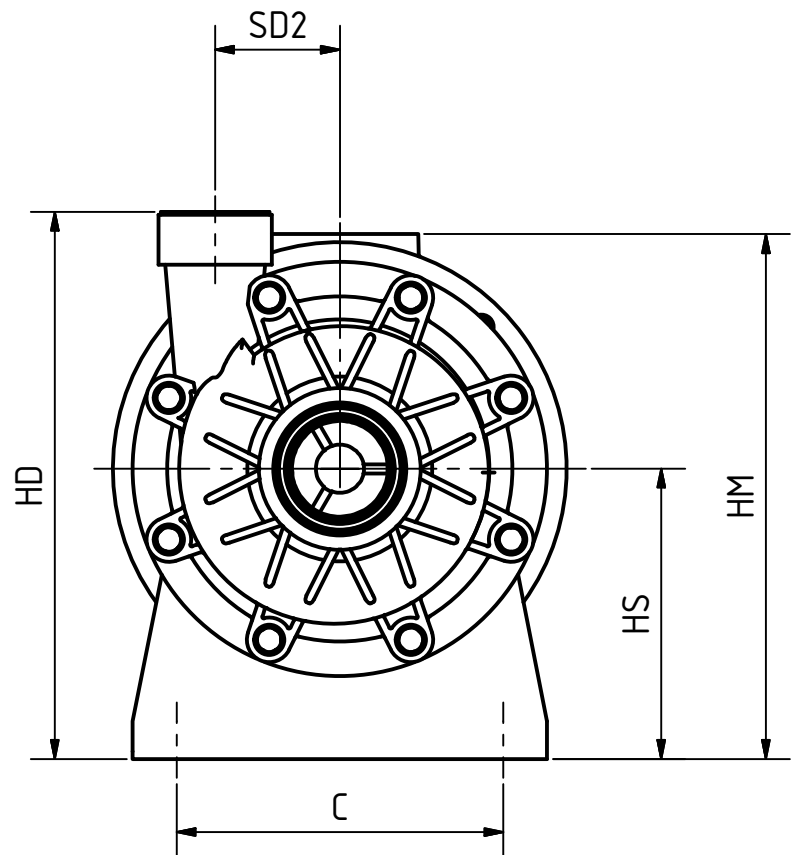
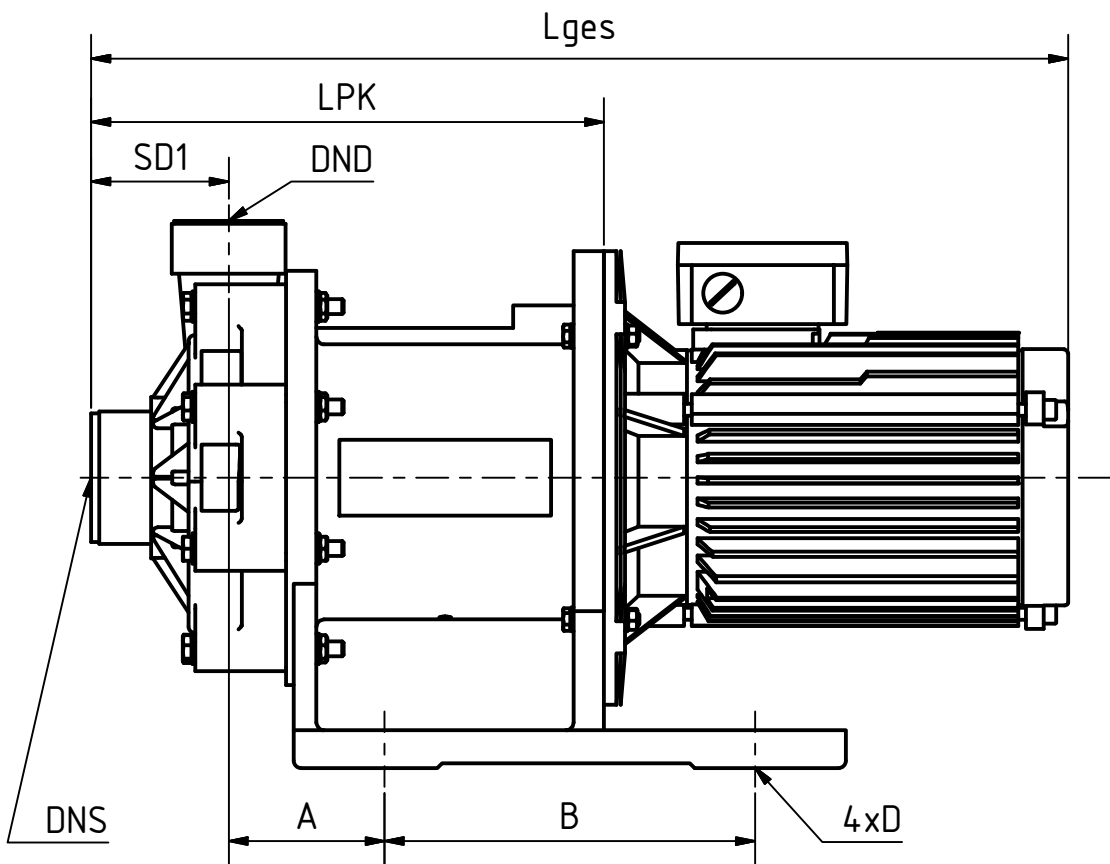


 <p>MARCH PUMPEN GmbH & Co.KG Rathenastraße 2 D-35394 Gießen info@march-pumpen.com www.march-pumpen.com</p>	Pumpe/ Pump	Drehzahl/ Speed	Lauftrad/ Impeller	Dichte / S.G.	Baureihe / Series :
	M50.2H	2900 RPM	Ø158	max. 1,9 kg/dm ³	EUROLINE
			Ø150		Typ / Type:
		Ø140		M50.2H	Motor:
		Ø130		IEC100/112 3-4kW	

M50.2H PPF 400V



M50.2H PPR 400V



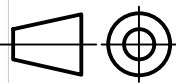
Abmessungen / Dimensions

Pumpentyp	M						DNS	DND	SD1 [mm]	SD2 [mm]
	Typ	U [V]	P [kW]	f [Hz]	n [min]					
M50.2H PPF 400V	IEC BG 132 B5	400	5,5	50	2900	DN 80	DN 65	117	82,5	
M50.2H PPR 400V			G3" AG			G2,5" AG	91			
M50.2H PPF 400V	IEC BG 132 B5	400	7,5	2900	DN 80	DN 65	117			
M50.2H PPR 400V					G3" AG	G2,5" AG	91			

Pumpentyp	Lges	LPK	A	B	C	ØD	HS	HD	HM
	[mm]	[mm]	[mm]	[mm]	[mm]	[mm]	[mm]	[mm]	[mm]
M50.2H PPF 400 V	672	365	103	245	216	14	192	383	347
M50.2H PPR 400 V	646	339						362	
M50.2H PPF 400 V	672	365						383	
M50.2H PPR 400 V	646	339						362	



MARCH PUMPEN GmbH & Co.KG
Rathenaustraße 2
D-35394 Gießen
www.march-pumpen.com
info@march-pumpen.com



Alle Angaben unverbindlich, technische Änderungen vorbehalten!
Technical data not binding and subject to change!
Copyright MARCH PUMPEN GmbH & Co.KG 2017

Status	Änderungen	DATUM	Name

DATUM	Name
Gezeichnet 22.05.2017	MS
Kontrolliert 12.06.2017	PL
Norm	

Abmessungen		1
Dimensional Drawing		
EUROLINE M50.2H		A3
DPGE-0502		