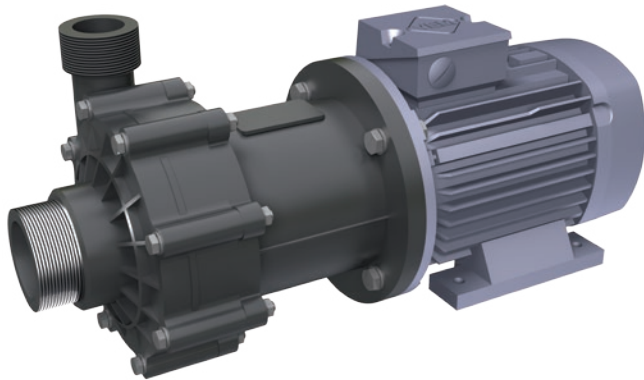


MAGNETIC DRIVEN CHEMICAL CENTRIFUGAL PUMPS

Series EUROLINE

M31.2H



TECHNICAL DATA

Nominal speed:	2900 1/min
Capacity flow, max.:	36 m ³ /h
Discharge head, max.:	24 mWs
Design pressure, max.:	4 bar
Design temperature, max.:	PP 60°C PVDF 90°C
Density, max.:	1,9 kg/dm ³
Viscosity, max.:	200 cP

APPLICATIONS

Series M / EUROLINE Magnetic Driven Centrifugal Pumps are used especially for a safe handling of corrosive liquids, acids, lyes and solvents. Proven applications e.g. the use as filterpumps in plating industry, such as recirculating pumps in chemical industries and Plants, as well as in food-, pharmaceutical industry and biotechnics.

CONNECTIONS

Suction side: G2 1/2" male, Flanged DN65
Discharge side: G2" male, Flanged DN50

WERKSTOFFE

Housing: PP, PVDF
O-Rings: EPDM, FKM, FFKM, FEP
Bushing: PTFE C25%
Shaft: Al2O3 >99%
Thrust bearing: Al2O3 >99%, PTFE C25%

DESIGN FEATURES

- Centrifugal Pump
- Closed Impeller, capsulated
- Leak-free
- Magnetic driven
- NdFeB permanent magnets
- Closed coupled
- Normal suction
- Wet parts non-metallic
- Maintenance free
- Only a few wear parts
- Pump execution acc. to Ex II3G c Tx

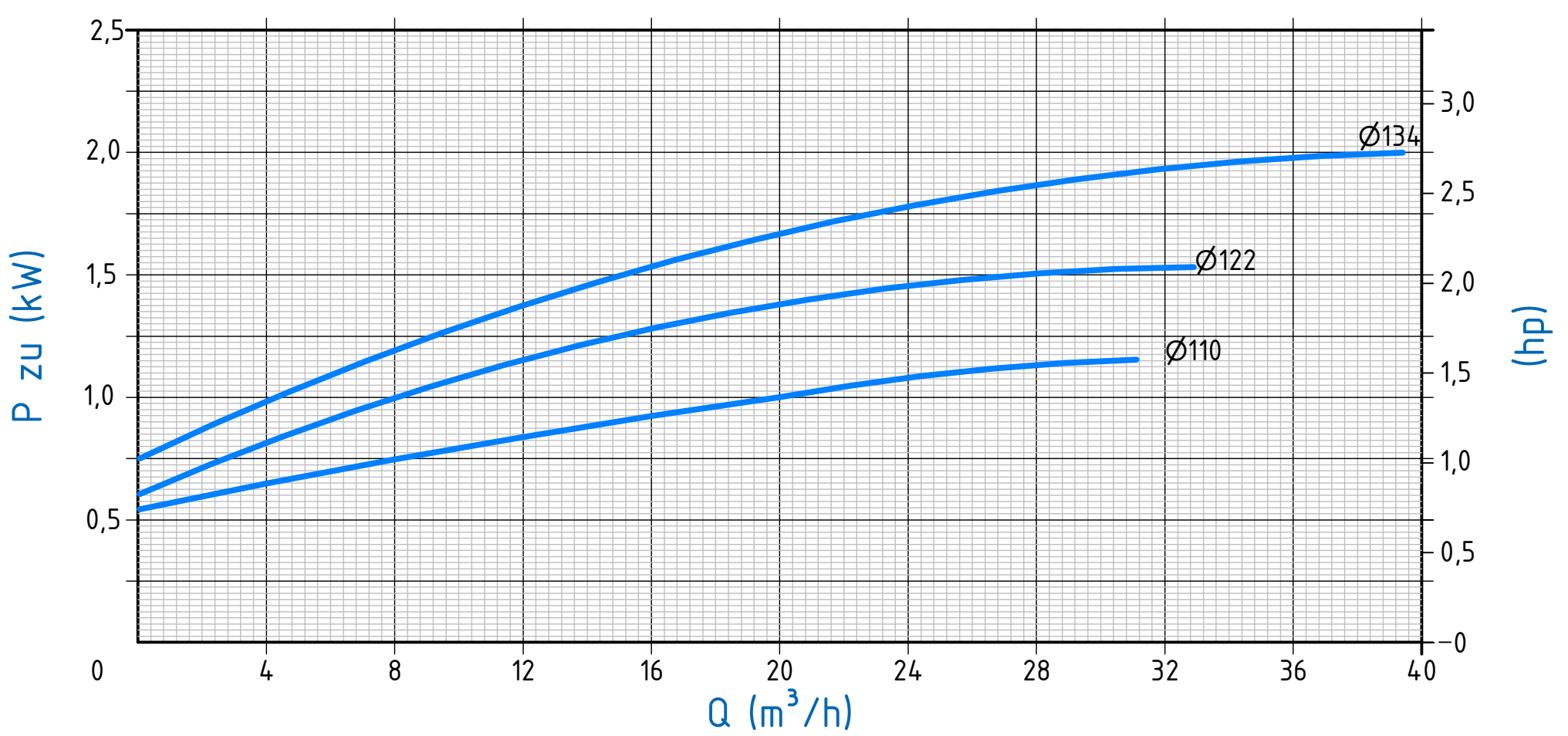
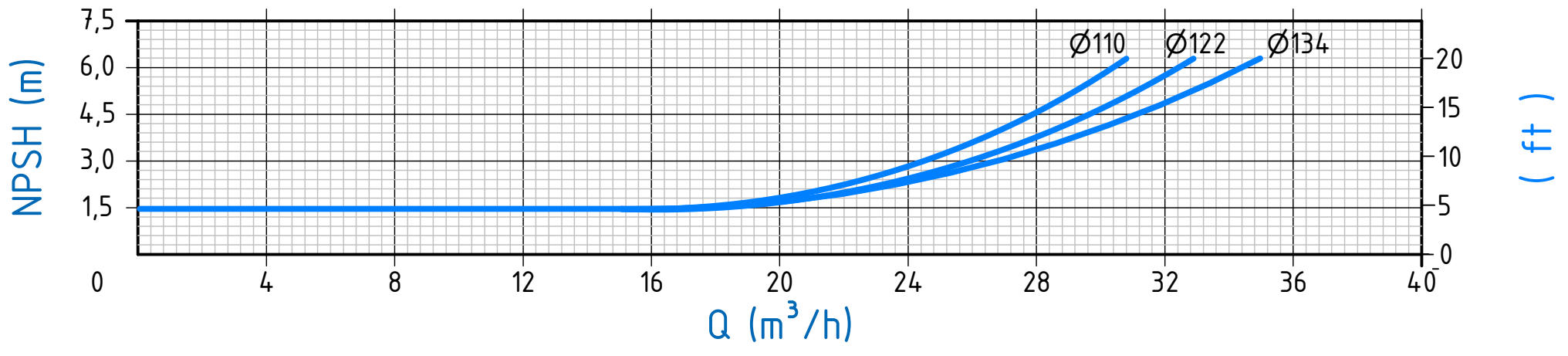
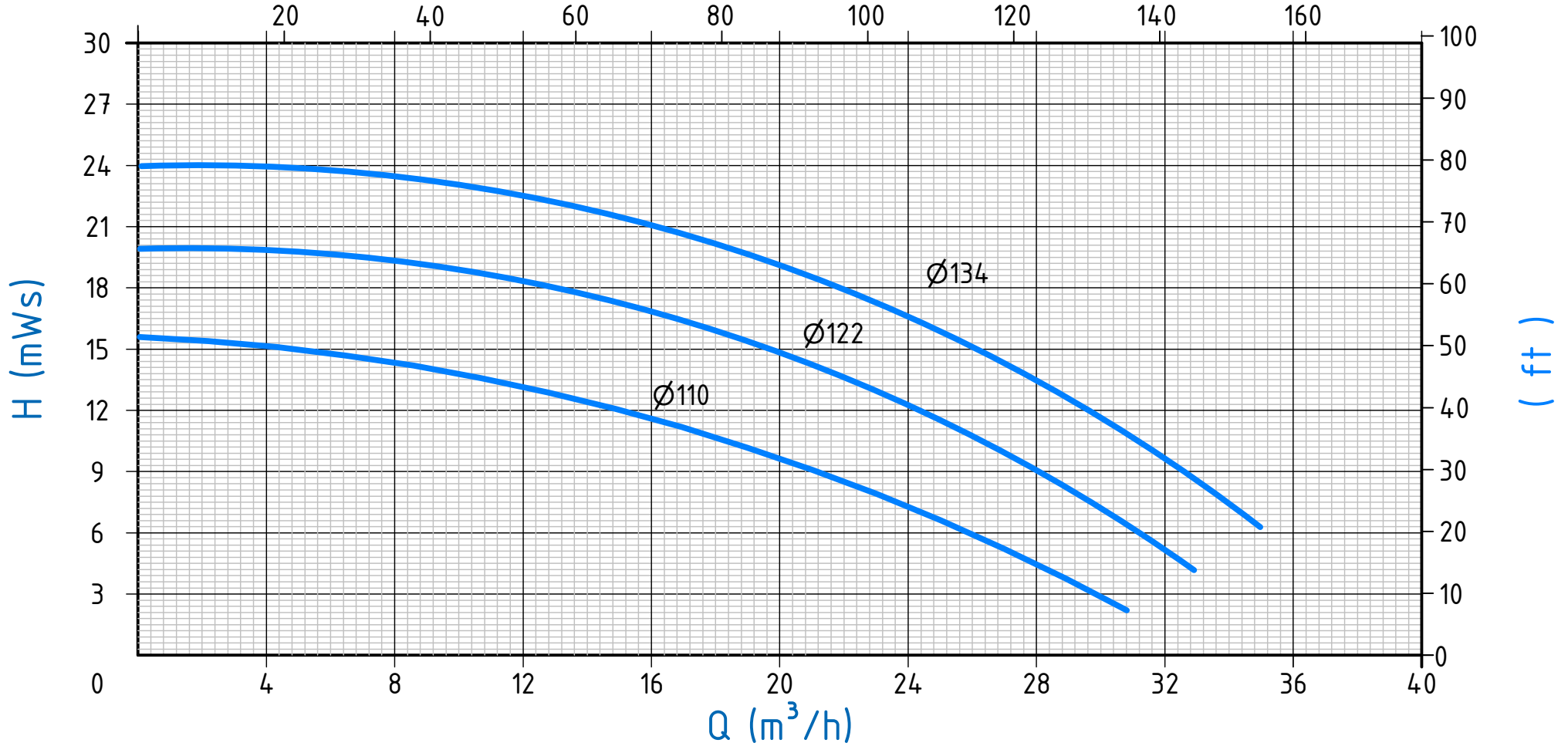
PRODUCT DESCRIPTION

MARCH Magnetic Driven Centrifugal Pumps are designed to work completely without mechanical shaft sealing. The motor power is transmitted by a frictional connection through strong drive magnets to the hydraulic part. MARCH Magnetic Driven Centrifugal Pumps guarantee highest quality standards, economic efficiency and reliability in liquid transfer of aggressive, toxic and environmental threatening liquids.

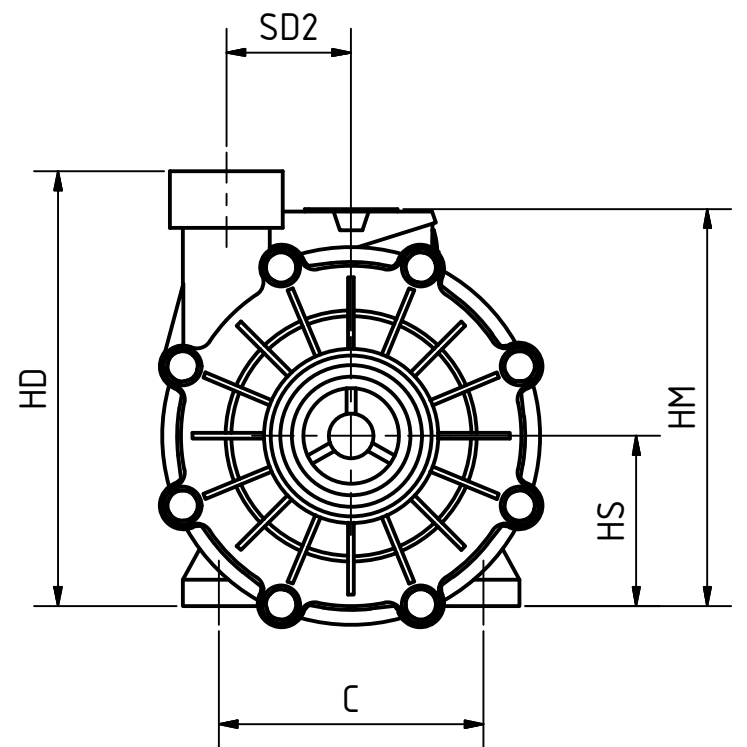
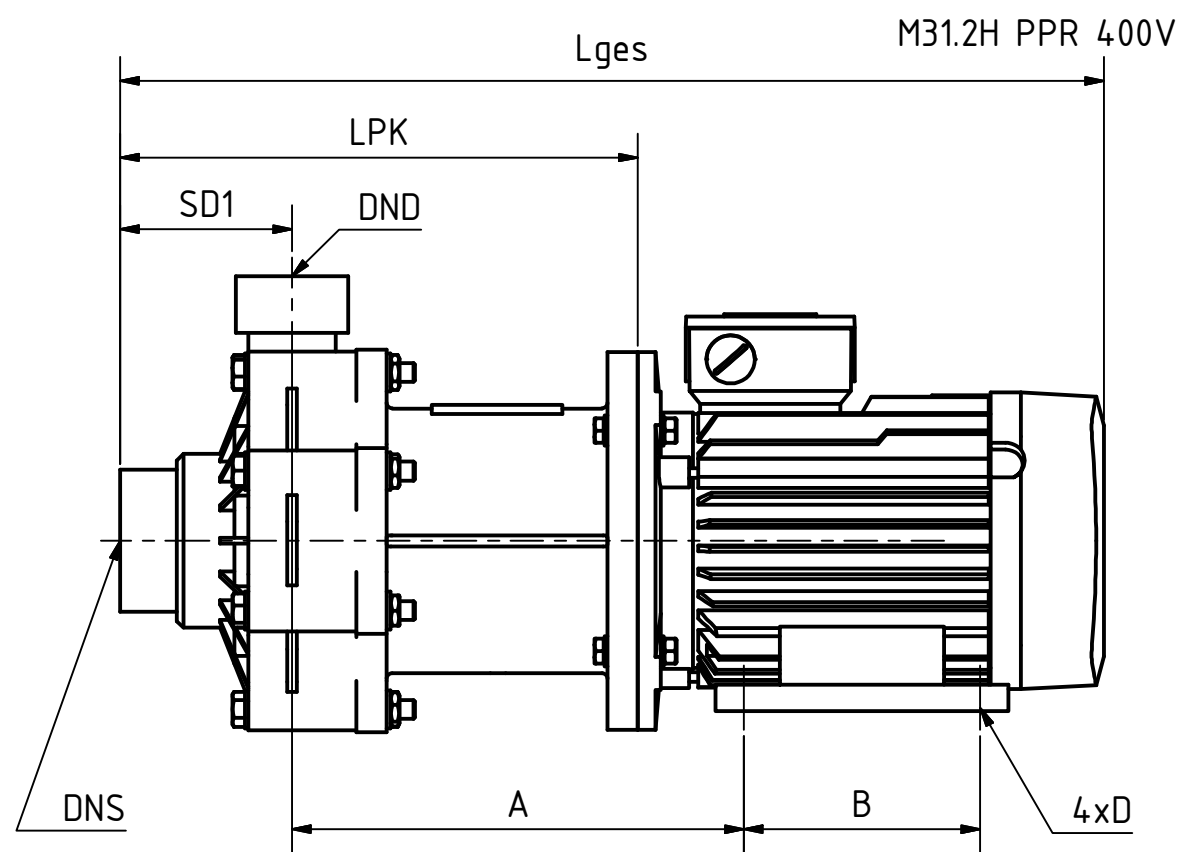
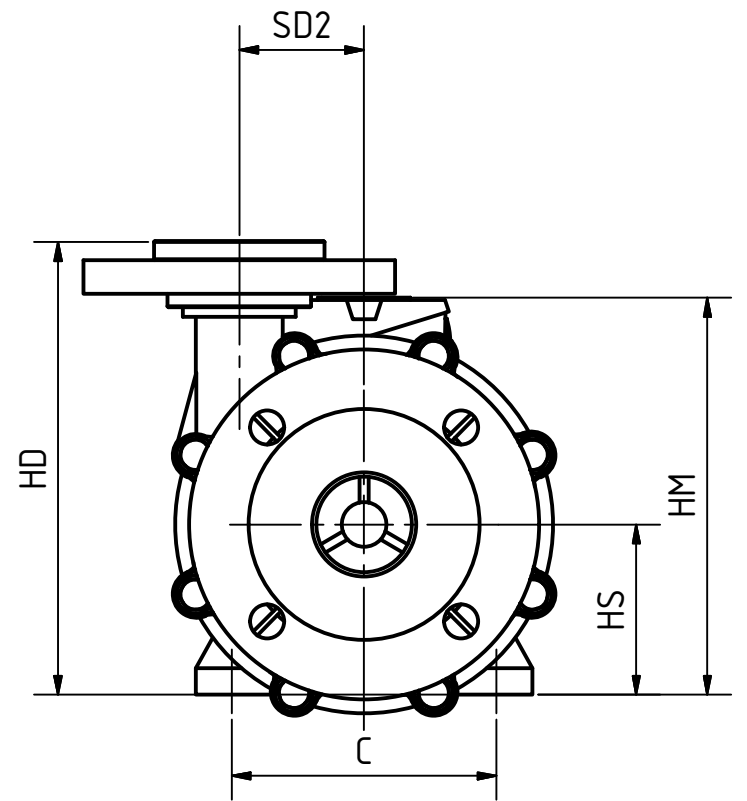
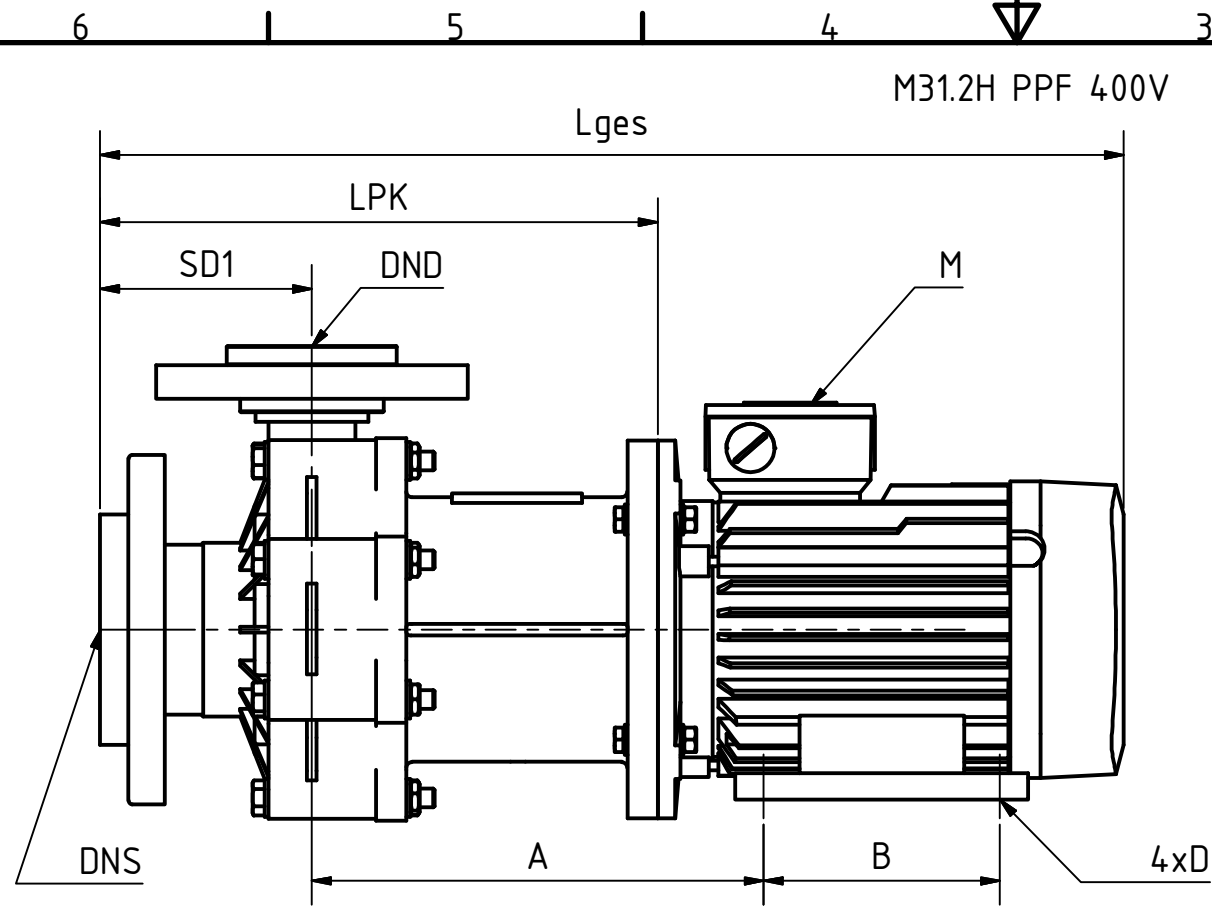
The pumps are built with molded plastic housing parts and in a closed coupled block design as standard. The modular construction allows a quick exchange of the wetted parts within a few minutes and without special tools. The friction bearing lubrication and cooling is done by the pumped liquid. As the pumps work maintenance-free, an operation without liquid (dry running) has to be avoided. European IEC standard motors according to IEC / EN 600340 are assembled on all Series M / EUROLINE Pumps. Explosion proof models are available upon request. All Series M / EUROLINE pumps can be supplied with BSP/NPT threads, flanges, hose connection or union fitting. The operative limits, especially min. and max. flow rates and the required net positive suction head (NPSH) are important for the trouble-free operation of the pump.



US G.P.M.



	Pumpe/ Pump	Drehzahl/ Speed	Lauf­rad/ Impeller	Dichte / S.G.	Baureihe / Series : EUROLINE
	M31.2H	2900 RPM	Ø134	max. 1,9 kg/dm ³	Typ / Type: M31.2H
			Ø122		Motor: 2,2 kw / IEC BG90
			Ø110		

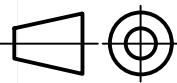


Pumpentyp		Abmessungen / Dimensions							
		M				DNS	DND	SD1	SD2
Typ		U [V]	P [kW]	f [Hz]	n [min]			[mm]	[mm]
M31.2H PPF 400V	IEC BG 90 B35	400	2,2	50	2900	DN 65	DN 50	112	66
M31.2H PPR 400V						G2 1/2" AG	G2" AG	91	
M31.2H PPF 400V	IEC BG 100 B5		3,0			DN 65	DN 50	112	
M31.2H PPR 400V						G2 1/2" AG	G2" AG	91	
M31.2H PPF 400V	IEC BG 112 B5		4,0			DN 65	DN 50	112	
M31.2H PPR 400V						G2 1/2" AG	G2" AG	91	

Pumpentyp	Lges	LPK	A	B	C	ØD	HS	HD	HM
	[mm]	[mm]	[mm]	[mm]	[mm]	[mm]	[mm]	[mm]	[mm]
M31.2H PPF 400V	541,5	295	239	125	140	10	90	240	210
M31.2H PPR 400V	520,5	274						230	
M31.2H PPF 400V	576	305	256	140	160	12	100	250	228
M31.2H PPR 400V	555	284						240	
M31.2H PPF 400V	603	305	263	140	190	12	112	262	250
M31.2H PPR 400V	582	284						252	



MARCH PUMPEN GmbH & Co.KG
 Rathenastraße 2
 D-35394 Gießen
 www.march-pumpen.com
 info@march-pumpen.com



Alle Angaben unverbindlich, technische Änderungen vorbehalten!
 Technical data not binding and subject to change!
 Copyright MARCH PUMPEN GmbH & Co.KG 2017

Status	Änderungen	DATUM	Name

DATUM	Name
Gezeichnet 22.05.2017	MS
Kontrolliert 09.06.2017	PL
Norm	
Abmessungen Dimensional Drawing EUROLINE M31.2H	
DPGE-0312	
1	
A3	