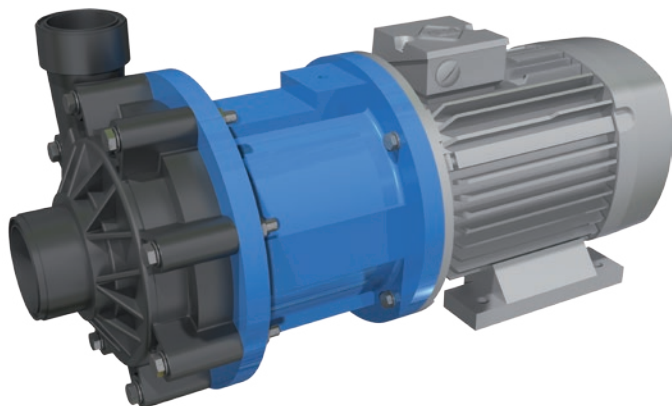


MAGNETIC DRIVEN CHEMICAL CENTRIFUGAL PUMPS

Series EUROLINE

M40.2H



TECHNICAL DATA

Nominal speed:	2900 1/min
Capacity flow, max.:	40 m ³ /h
Discharge head, max.:	31 mWs
Design pressure, max.:	4 bar
Design temperature, max.:	PP 60°C PVDF 90°C
Density, max.:	1,9 kg/dm ³
Viscosity, max.:	200 cP

APPLICATIONS

Series M / EUROLINE Magnetic Driven Centrifugal Pumps are used especially for a safe handling of corrosive liquids, acids, lyes and solvents. Proven applications e.g. the use as filterpumps in plating industry, such as recirculating pumps in chemical industries and Plants, as well as in food-, pharmaceutical industry and biotechnics.

CONNECTIONS

Suction side: G3" male, Flanged DN80
Discharge side: G2 1/2" male, Flanged DN65

MATERIALS

Housing: PP, PVDF
O-Ring: EPDM, FKM, FFKM, FEP
Bushing: PTFE C25%
Shaft: Al2O3 >99%
Thrust bearing: Al2O3 >99%, PTFE C25%

DESIGN FEATURES

- Centrifugal Pump
- Closed Impeller, capsulated
- Leak-free
- Magnetic driven
- NdFeB permanent magnets
- Closed coupled
- Normal suction
- Wet parts non-metallic
- Maintenance free
- Only a few wear parts
- Pump execution acc. to Ex II3G c Tx

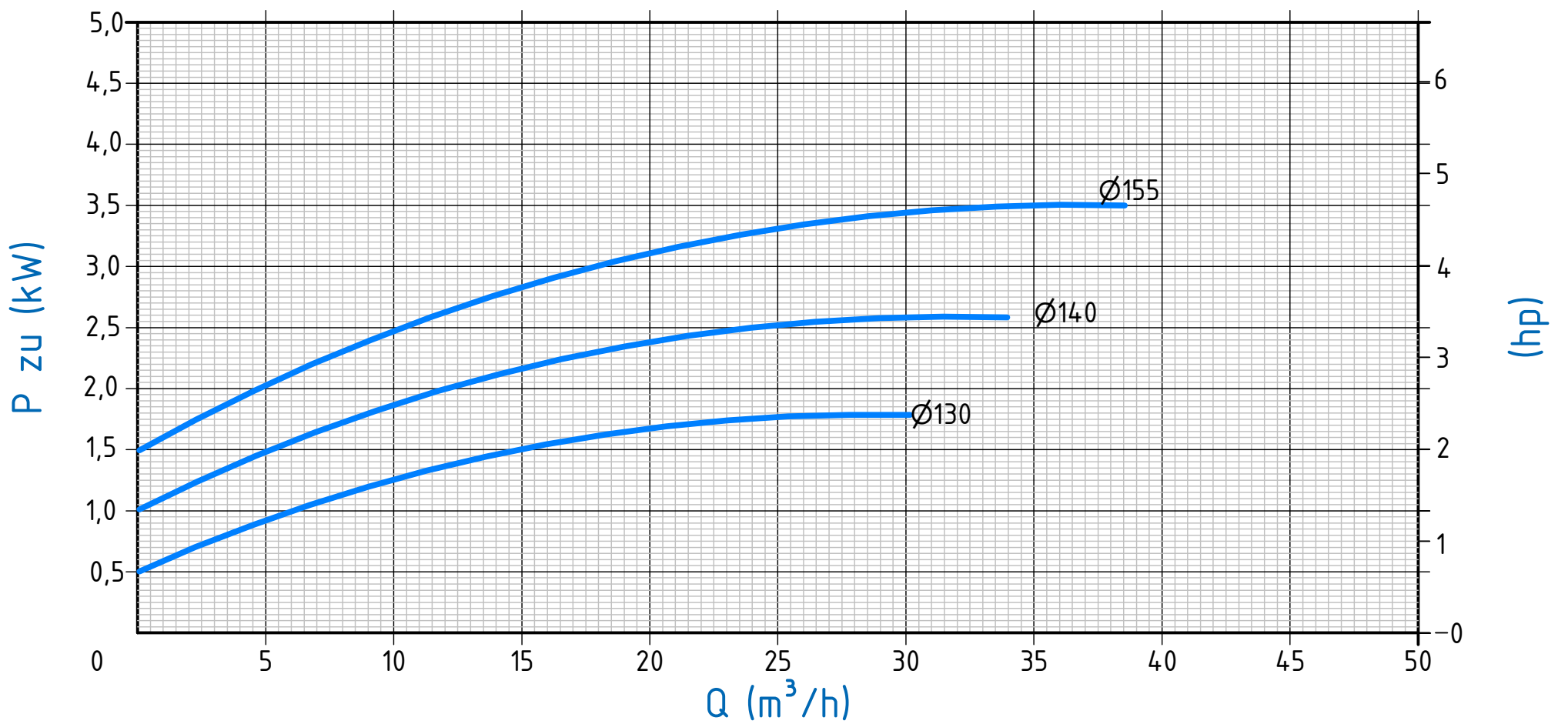
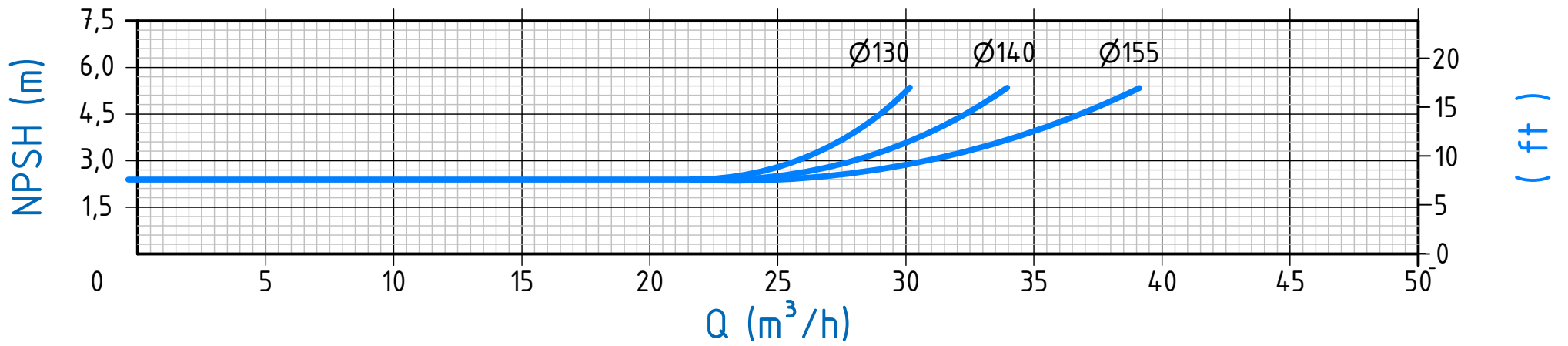
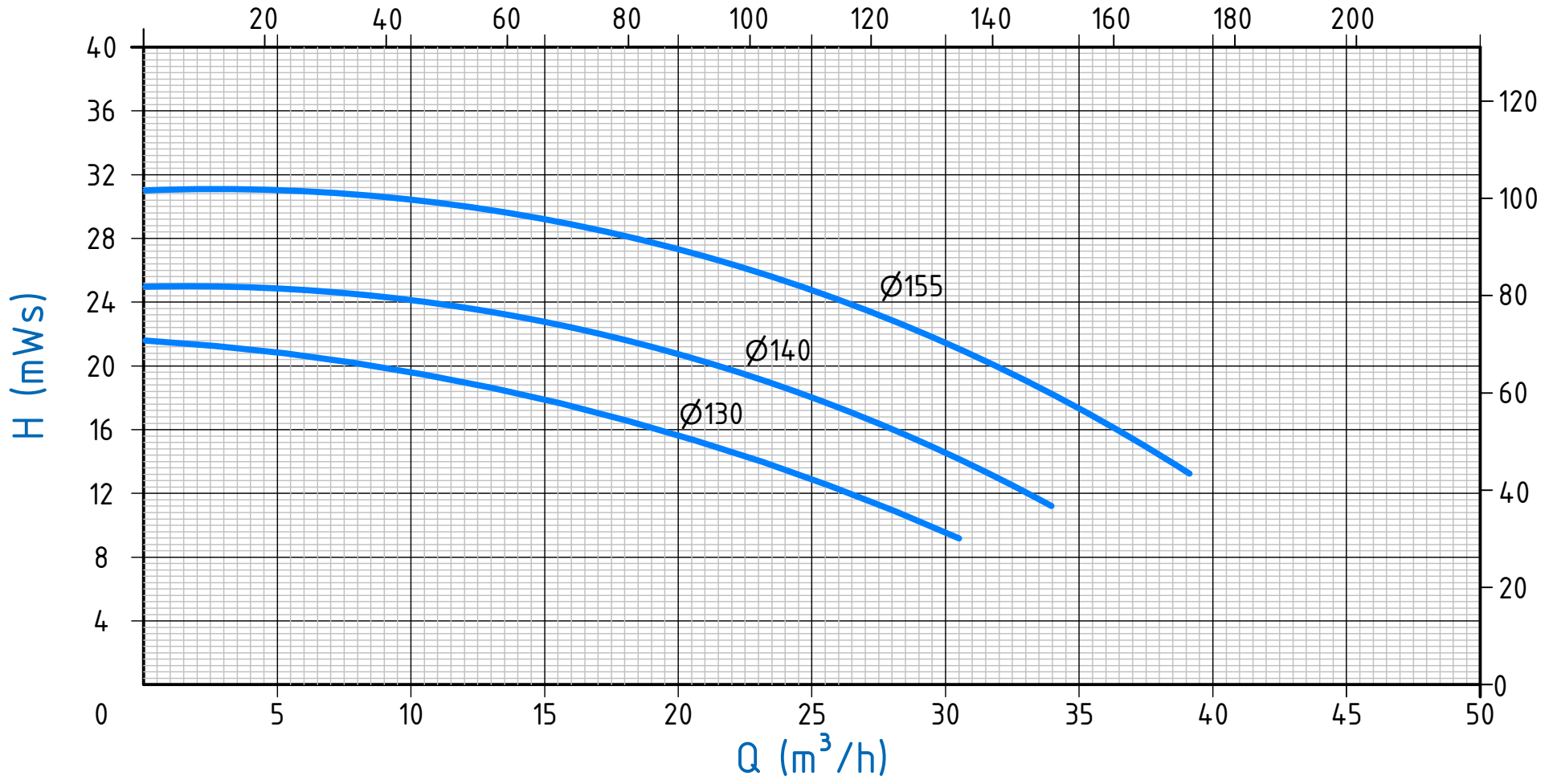
PRODUCT DESCRIPTION

MARCH Magnetic Driven Centrifugal Pumps are designed to work completely without mechanical shaft sealing. The motor power is transmitted by a frictional connection through strong drive magnets to the hydraulic part. MARCH Magnetic Driven Centrifugal Pumps guarantee highest quality standards, economic efficiency and reliability in liquid transfer of aggressive, toxic and environmental threatening liquids.

The pumps are built with molded plastic housing parts and in a closed coupled block design as standard. The modular construction allows a quick exchange of the wetted parts within a few minutes and without special tools. The friction bearing lubrication and cooling is done by the pumped liquid. As the pumps work maintenance-free, an operation without liquid (dry running) has to be avoided. European IEC standard motors according to IEC / EN 600340 are assembled on all Series M / EUROLINE Pumps. Explosion proof models are available upon request. All Series M / EUROLINE pumps can be supplied with BSP/NPT threads, flanges, hose connection or union fitting. The operative limits, especially min. and max. flow rates and the required net positive suction head (NPSH) are important for the trouble-free operation of the pump.



US G.P.M.

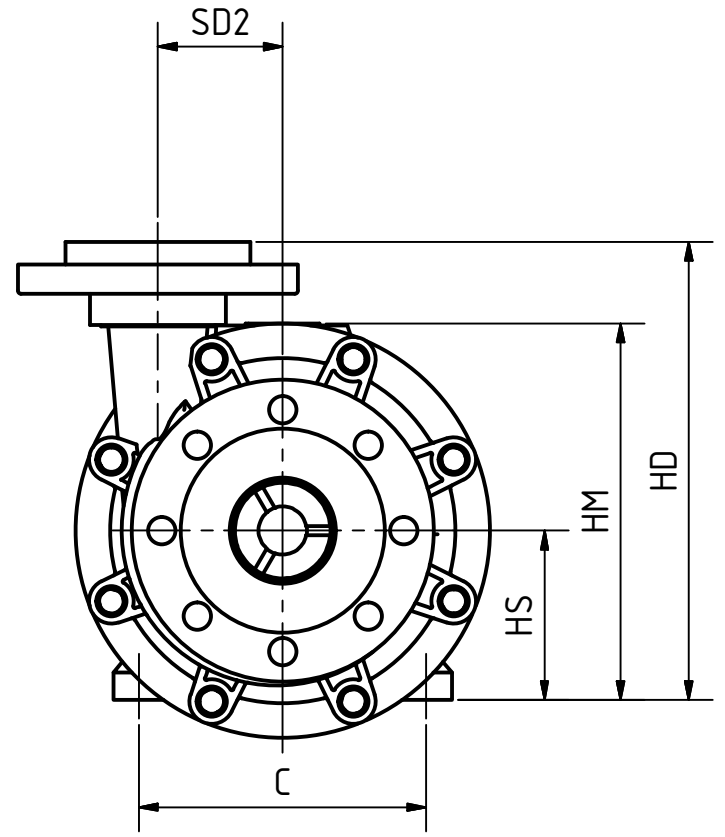
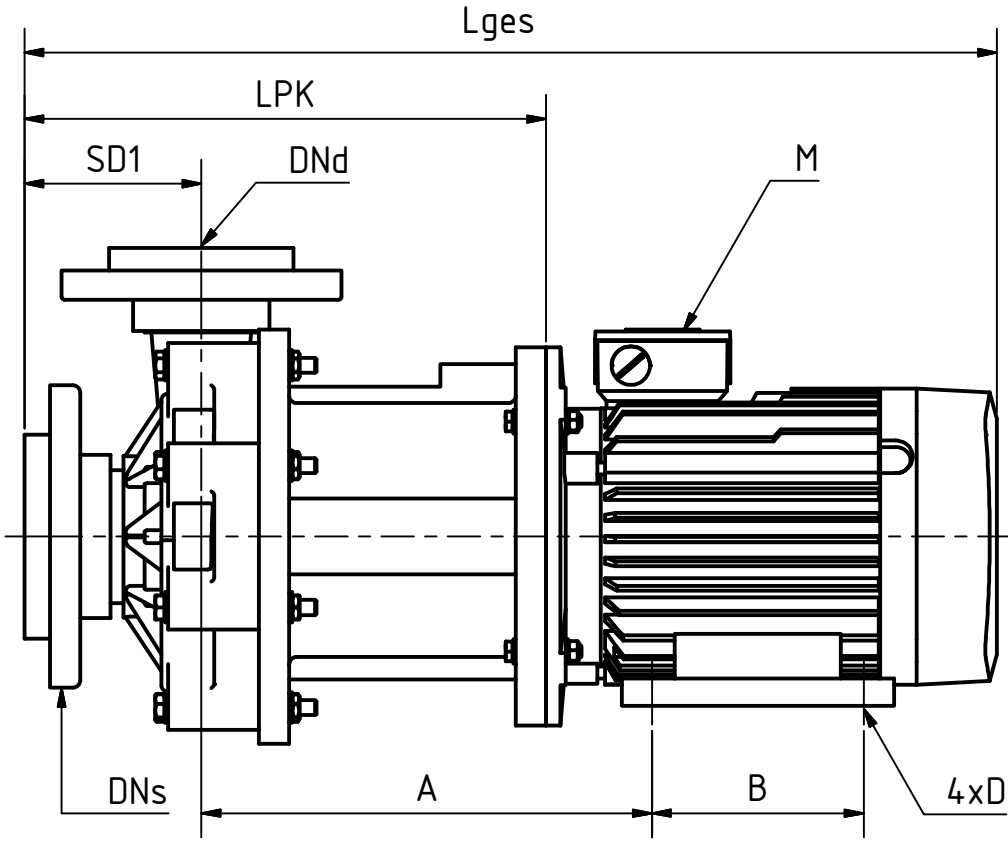


MARCH PUMPEN GmbH & Co.KG
 Rathenastraße 2
 D-35394 Gießen
 info@march-pumpen.com
 www.march-pumpen.com

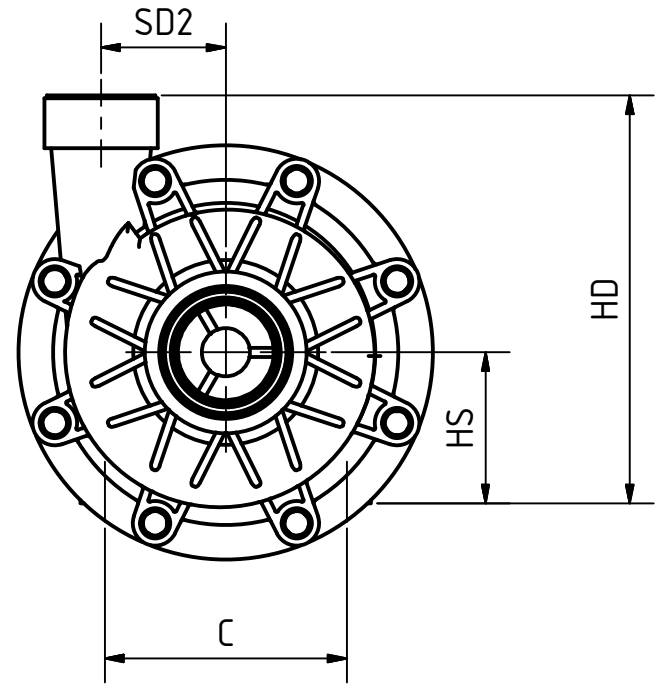
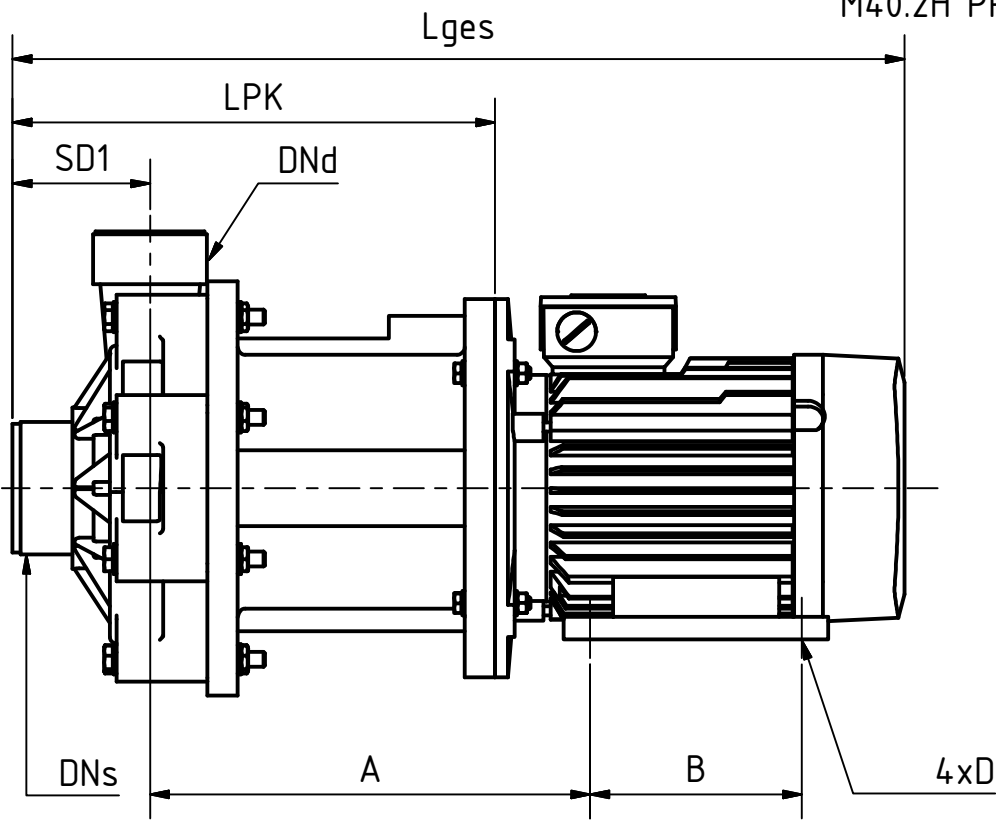
Pumpe/ Pump	Drehzahl/ Speed	Lauf­rad/ Impeller	Dichte / S.G.	Baureihe / Series :				
				M40.2H	2900 RPM	Ø155	max. 1,9 kg/dm ³	M/Euroline
						Ø140		Typ / Type: M40,2H
		Ø130		Motor: 3-4 kw				
				IEC BG100/112				

6 5 4 3 2 1

M40.2H PPF 400V



M40.2H PPR 400V



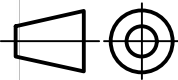
Abmessungen / Dimensions

Pumpentyp	M					DNS	DND	SD1 [mm]	SD2 [mm]
	Typ	U [V]	P [kW]	f [Hz]	n [min]				
M40H PPF 400V 3kW	IEC BG 100 B35	400	3	50	2900	DN 80	DN 65	117	82,5
M40H PPR 400V 3kW						G3"AG	G2 1/2"AG	91	
M40H PPF 400V 4kW	IEC BG 112 B35	400	4	50	2900	DN 80	DN 65	117	82,5
M40H PPR 400V 4kW						G3"AG	G2 1/2"AG	91	

Pumpentyp	Lges [mm]	LPK [mm]	A [mm]	B [mm]	C [mm]	ØD [mm]	HS [mm]	HD [mm]	HM [mm]
M40H PPF 400V 3kW	616	345	291	140	160	12	100	291	227,5
M40H PPR 400V 3kW	590	319						270	
M40H PPF 400V 4kW	643	345	298	140	190	12	112	303	249
M40H PPR 400V 4kW	617	319						282	



MARCH PUMPEN GmbH & Co.KG
Rathenaustraße 2
D-35394 Gießen
www.march-pumpen.com
info@march-pumpen.com



Alle Angaben unverbindlich, technische Änderungen vorbehalten!
Technical data not binding and subject to change!
Copyright MARCH PUMPEN GmbH & Co.KG 2017

Status	Änderungen	DATUM	Name

Gezeichnet	DATUM	Name
22.05.2017		MS
09.06.2017		PL

Abmessungen		1
Dimensional Drawing		
EUROLINE M40.2H		
DPGE-0402		A3

6 5 4 3 2 1