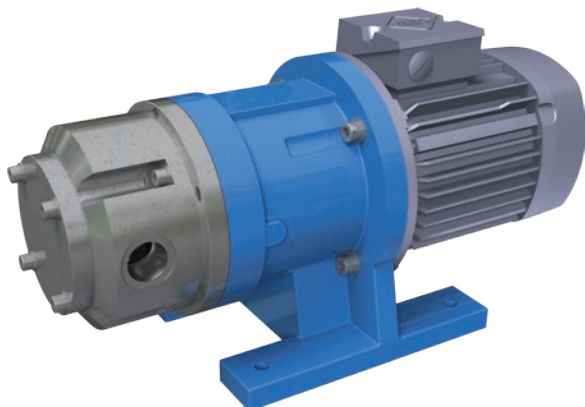


MAGNETICALLY COUPLED ROTARY SLIDING VANE PUMP

Series VANE-MAG MPA

MPA 1014 - 1514 - 2014 - 2414 (MPA III°R)



PERFORMANCE DATA

Nominal speed:	1450 1/min / 1750 1/min
Nominal frequency:	50 Hz / 60 Hz
Nominal flow rate:	
MPA 1014:	950 l/h / 1150 l/h (304 US gph)
MPA 1514:	1150 l/h / 1850 l/h (489 US gph)
MPA 2014:	1950 l/h / 2350 l/h (621 US gph)
MPA 2414:	2400 l/h / 2800 l/h (740 US gph)
Discharge pressure, max:	13 bar (188,55 psij)
Design pressure:	PN 16 bar (232,06 psi) >16 bar on request
Temperature, max.:	120°C (248°F) >120°C on request
Viscosity, max.:	5000 mPa s
Density, max.:	1,9 kg/dm ³

APPLICATIONS

The VANE-MAG® sliding vane pumps have proven their performance in every application that requires lower flow rates at high discharge pressure, when corrosive liquids must be metered.

Typical Applications:

- Ammonia metering in Flue-Gas Denitrification Plants (SNCR)
- Pentane metering in Polyurethane Insulation Production Plants
- Metering pump for Sodium Methylate in Biodiesel production
- Pump for cooling agents in refrigeration technology
- Dosing / metering applications
- Plant Engineering
- Equipment Engineering
- Pharmaceutical-, Medical-, Bio- Engineering

MATERIALS

Housing:	Stainless steel AISI316Ti
O-Rings:	EPDM, Viton, Kalrez, FEP
Rotor:	Stainless steel AISI316Ti
Stator, Vanes::	Carbon-Graphite SiC coated
Bearings:	SiC

CONNECTIONS

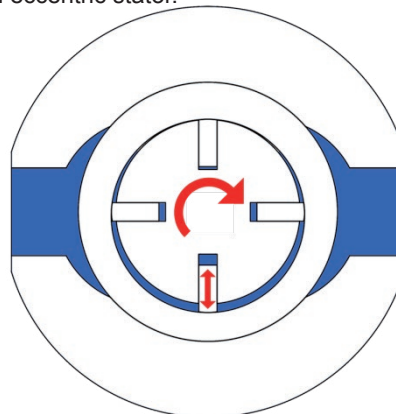
Threads:	G1" female, 1" NPT
Lap Joint Flanges:	DN25 PN16, 1" ANSI

DESIGN FEATURES

- Rotating positive displacement pump
- Sliding Vane Pump
- Metallic housing materials
- Magnetically coupled
- Leak-Free
- Rugged
- Wet self-priming
- Dry running capable
- For pure liquids w/o abrasive solids
- Compact block design
- Approximately no pulsation
- Middle to high discharge pressure
- Low capacity flow rates
- Metering capable

PRODUCT DESCRIPTION

MARCH Series: VANE-MAG® MPA pumps are rotary positive displacement pumps, magnetically coupled and made of stainless steel AISI316Ti. Characteristic wise, rotary sliding vane pumps generate low volumetric flows with middle to high discharge pressures and approximately no pulsation. The operating principle is based on radial sliding vanes, which are rotating in an eccentric stator.



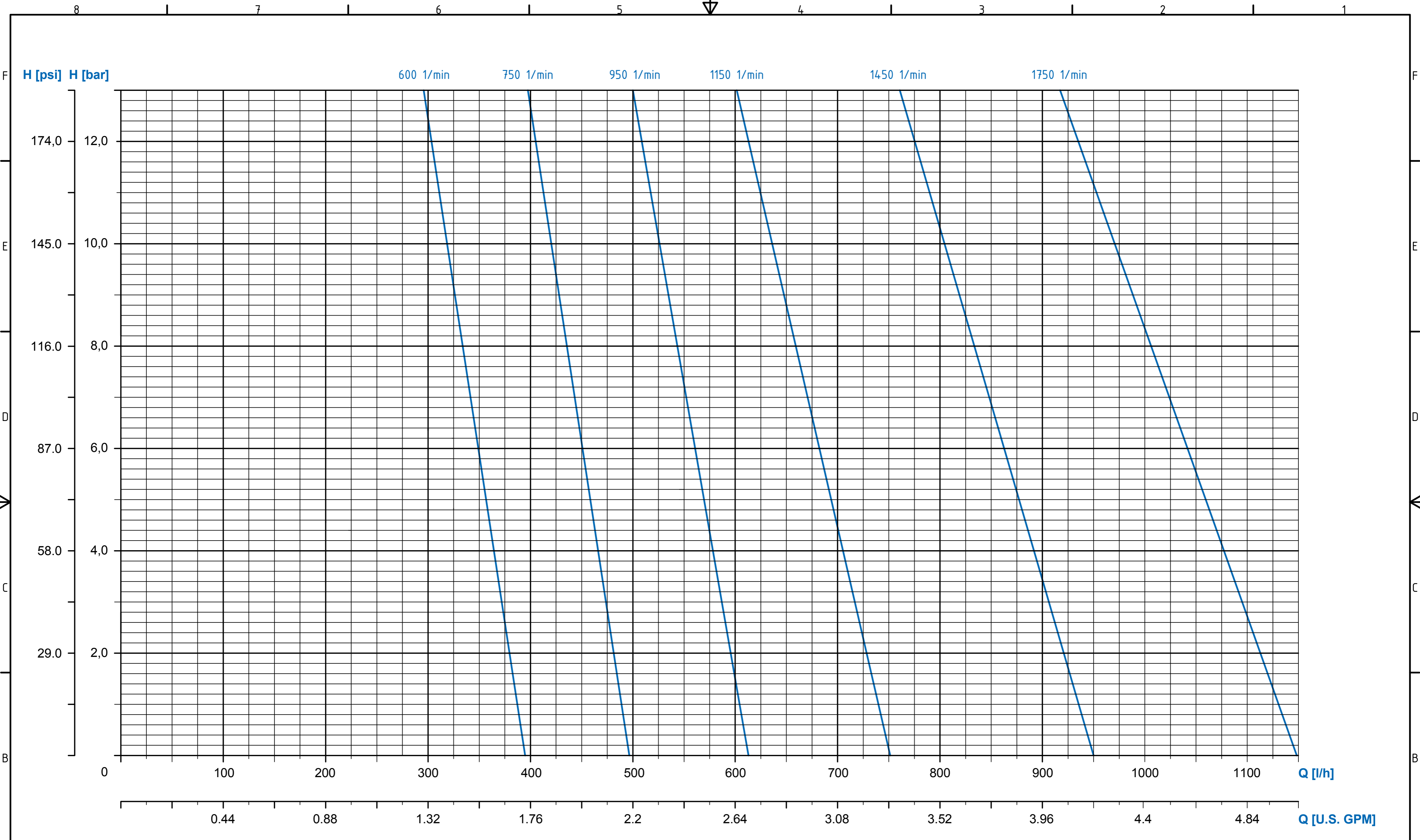
The pump housings are machined of solid block materials.

The motor power is transmitted by a frictional connection to the hydraulic part of the pumps by strong Neodymium-Permanent-Magnets. The pump is able to work without any shaft seals, which guarantees a save and maintenance-free transfer of the liquid without any leakage of corrosive, toxic and explosive fluids. Pumps for hazardous explosive areas, zone 1 or 2, are available upon request.

MOTOR ADAPTION

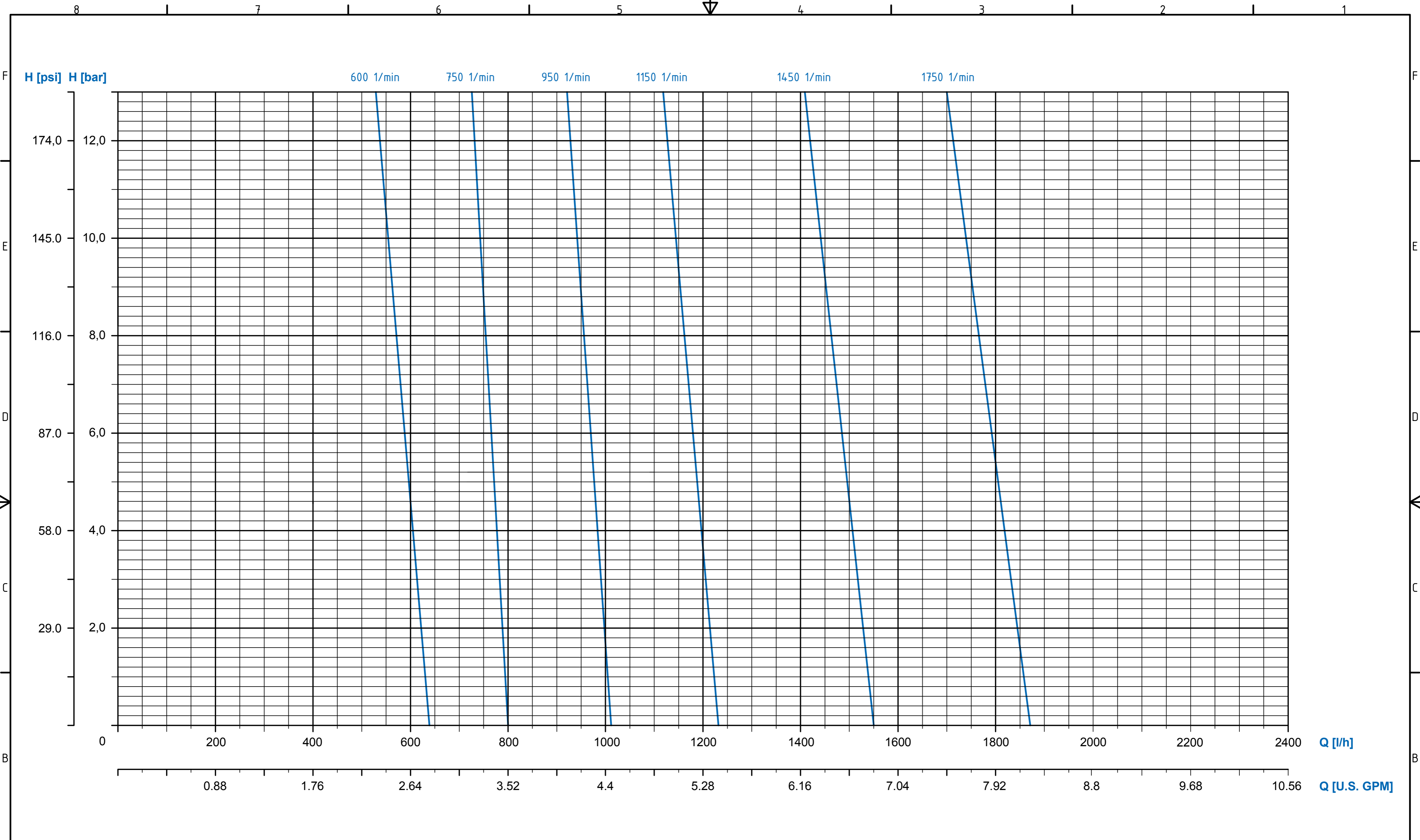
EU Version:	IEC Size 90 B5, 1,5kW 1500 1/min
US Version:	NEMA143/145TC, 2.0 HP 1750 1/min





MARCH PUMPEN
 MARCH PUMPEN GmbH
 Rathenaustraße 2
 D-35394 Gießen
 www.march-pumpen.com
 info@march-pumpen.com

KENNLINIEN / PERFORMANCE CURVES			
Series	VANE-MAG		
Pump Size	MPA1014 - III°Range Pumps		
Motor Power	0,55kW	1,1kW	1,5kW
Speed	750 / 900 1/min	900 / 1150 1/min	1450 / 1750 1/min
Fluid Viscosity	1 mm ² /s	Fluid Density	1 kg/dm ³



MARCH PUMPEN
 MARCH PUMPEN GmbH
 Rathenaustraße 2
 D-35394 Gießen
 www.march-pumpen.com
 info@march-pumpen.com

KENNLINIEN / PERFORMANCE CURVES			
Series	VANE-MAG		
Pump Size	MPA1514 - III°Range Pumps		
Motor Power	0,55kW	1,1kW	1,5kW
Speed	750 / 900 1/min	900 / 1150 1/min	1450 / 1750 1/min
Fluid Viscosity	1 mm ² /s	Fluid Density	1 kg/dm ³

H [psi] H [bar]

600 1/min 750 1/min 950 1/min 1150 1/min 1450 1/min 1750 1/min

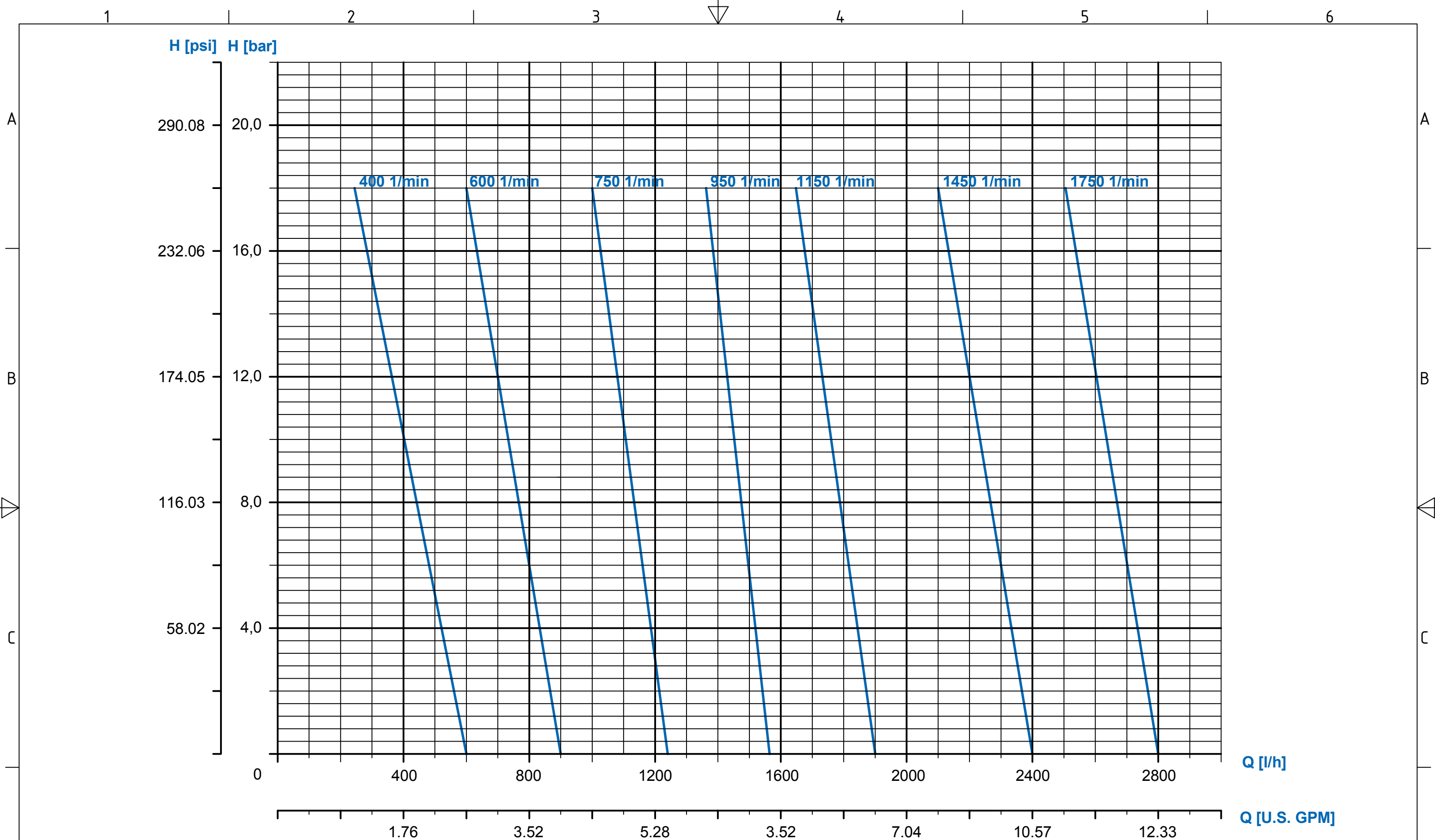
174,0 12,0
145,0 10,0
116,0 8,0
87,0 6,0
58,0 4,0
29,0 2,0
0

Q [l/h]
Q [U.S. GPM]

KENNLINIEN / PERFORMANCE CURVES			
Series	VANE-MAG		
Pump Size	MPA2014 - III°Range Pumps		
Motor Power	0,55kW	1,1kW	1,5kW
Speed	750 / 900 1/min	900 / 1150 1/min	1450 / 1750 1/min
Fluid Viscosity	1 mm ² /s	Fluid Density	1 kg/dm ³

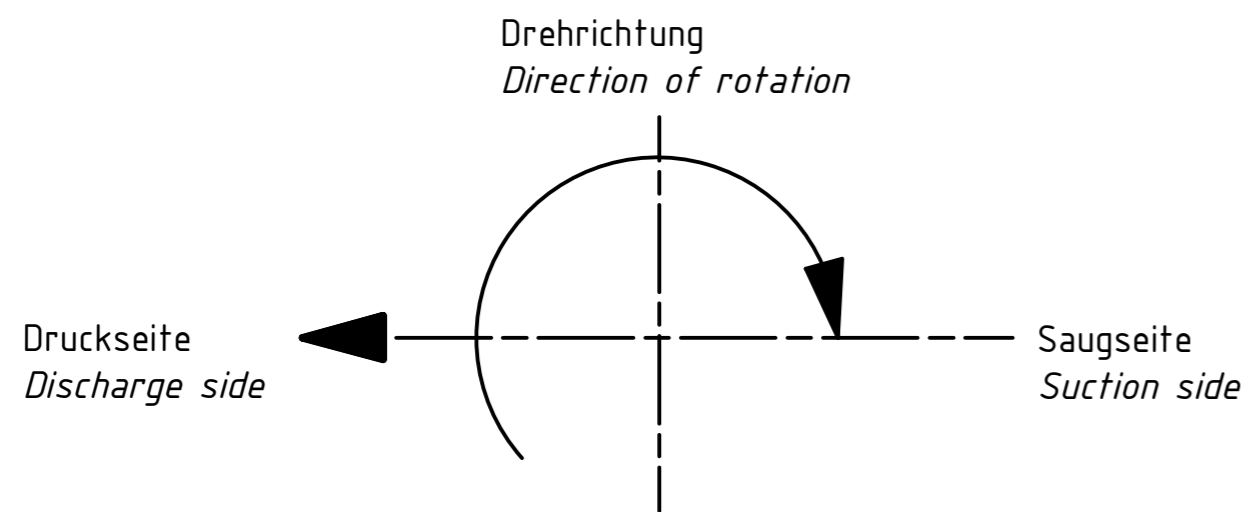
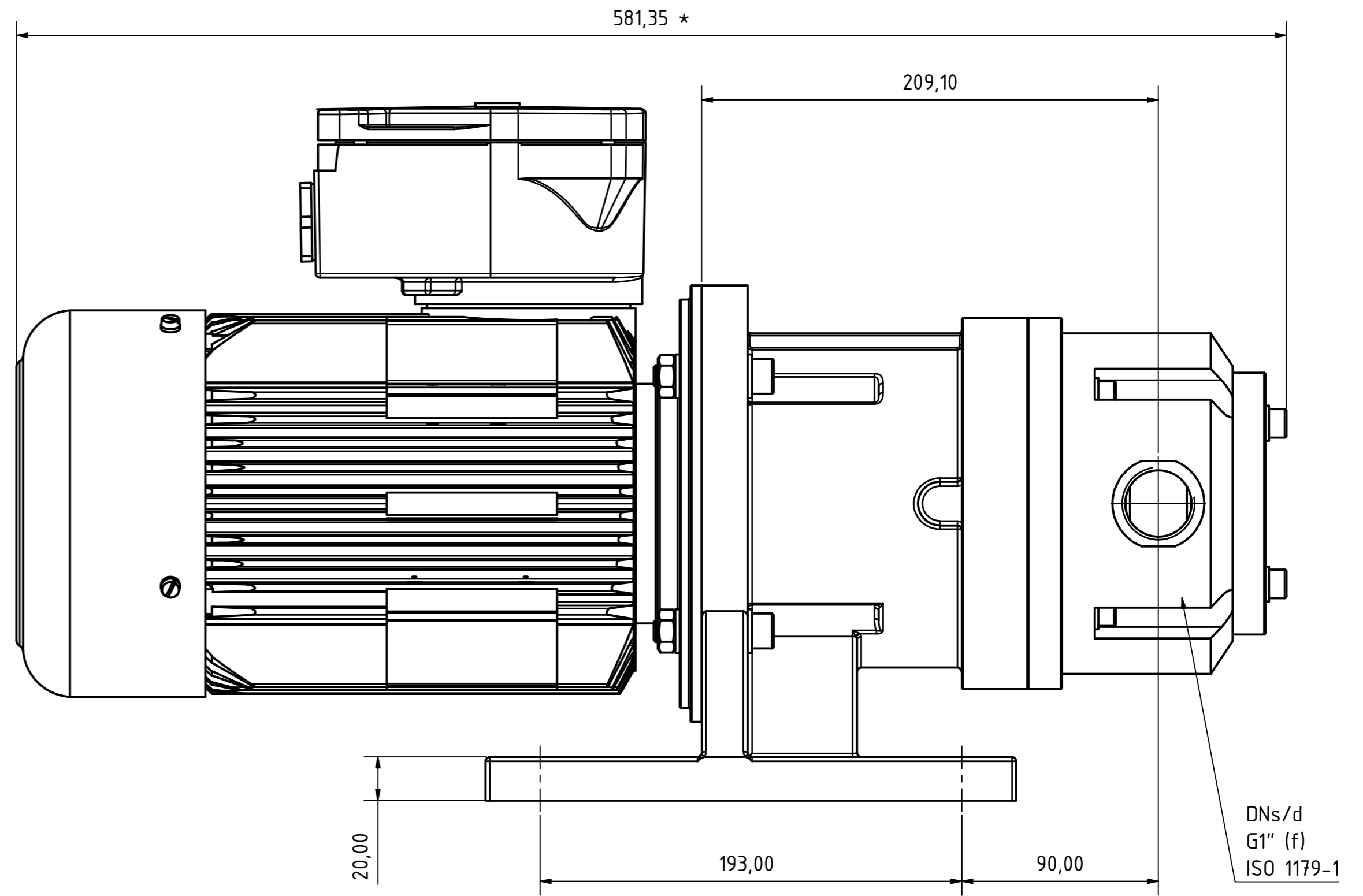
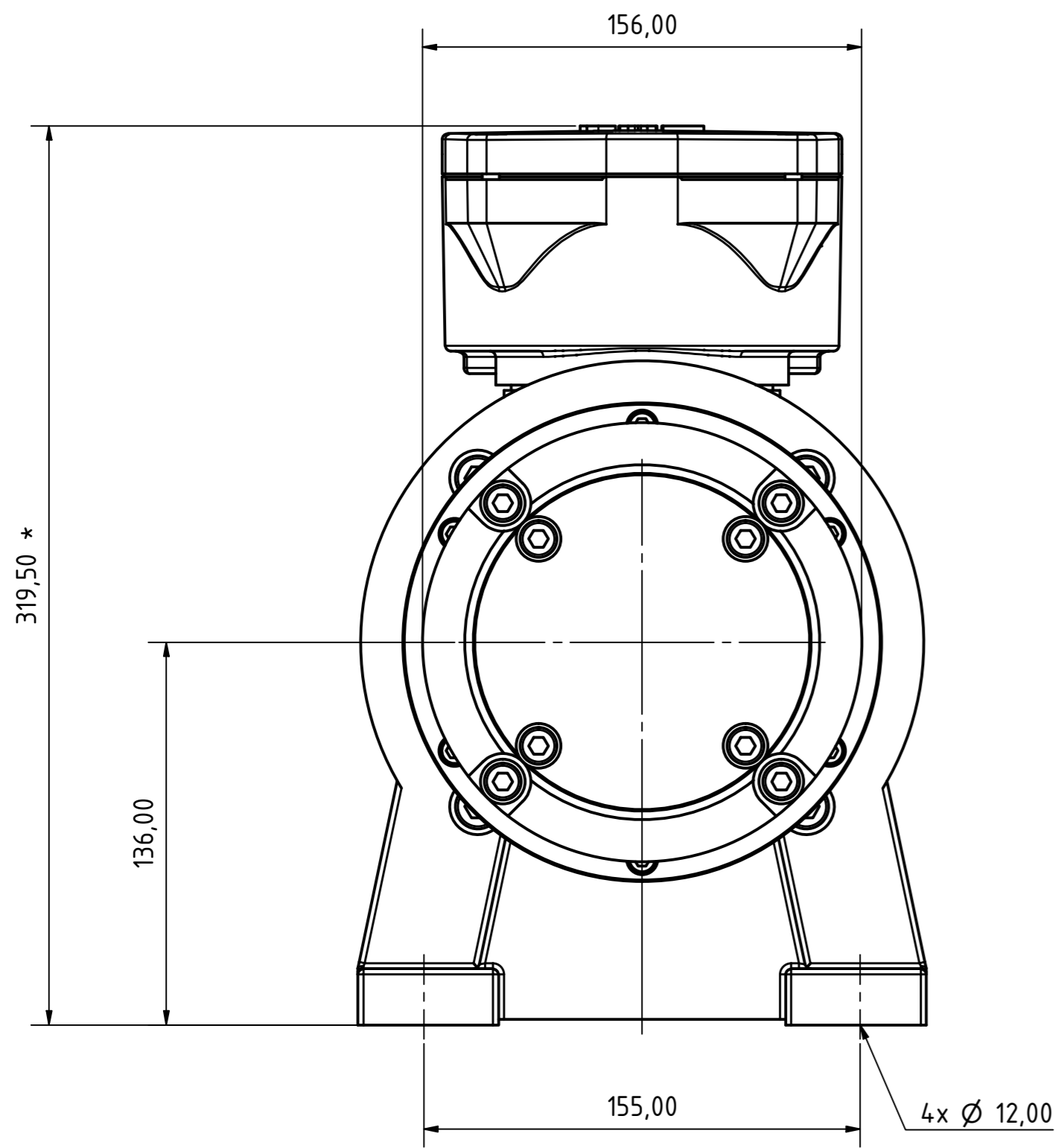


MARCH PUMPEN GmbH
Rathenaustraße 2
D-35394 Gießen
www.march-pumpen.com
info@march-pumpen.com



MARCH PUMPEN GmbH & Co.KG
 Rathenastraße 2
 D-35394 Gießen
 www.march-pumpen.com
 info@march-pumpen.com

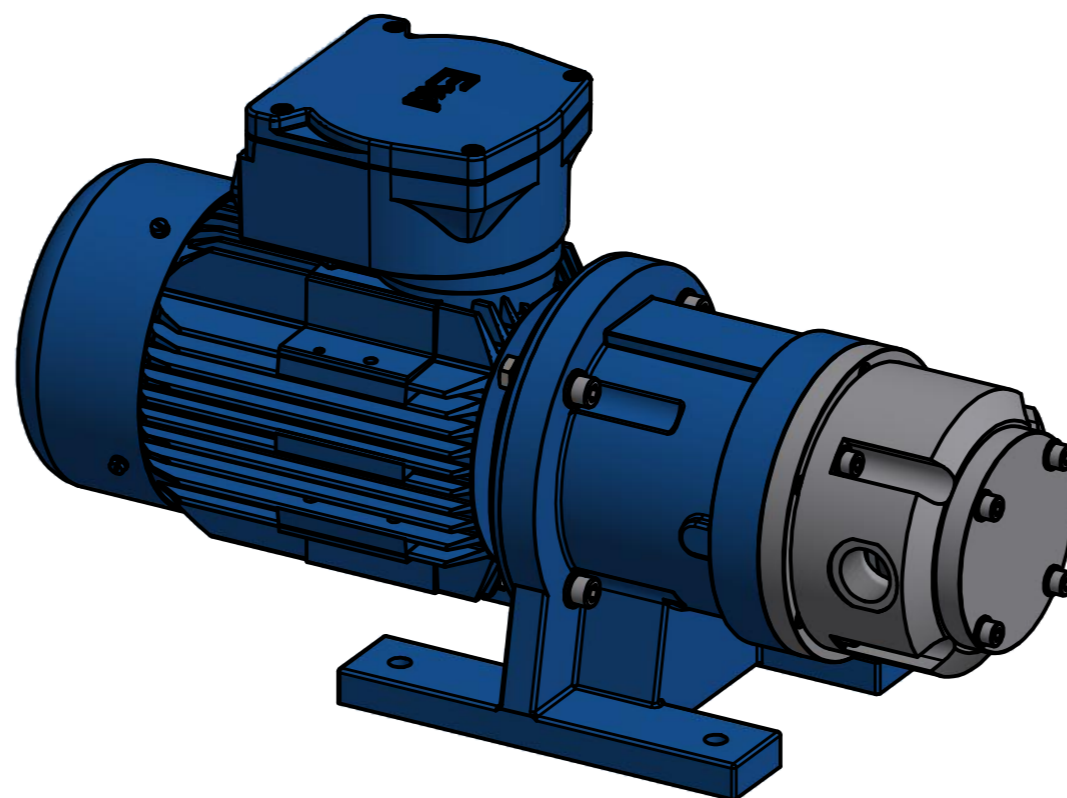
Baureihe / Series:	VANE-MAG
Typ / Type:	MPA 2414
Motor:	IEC 90 B5



DIMENSIONS
in mm
* may change with different motor manufacturer

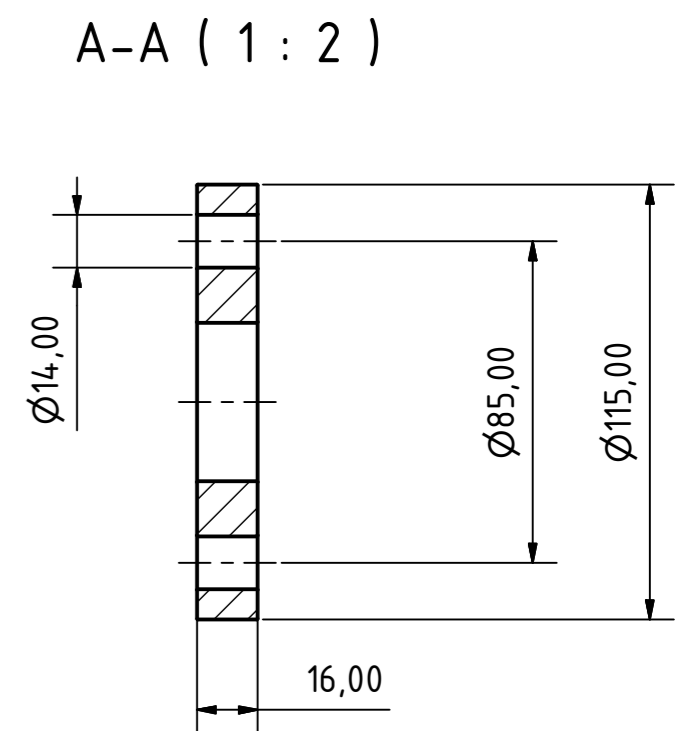
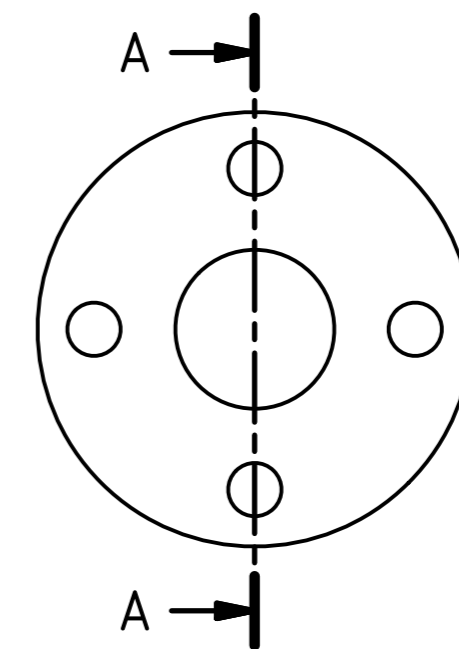
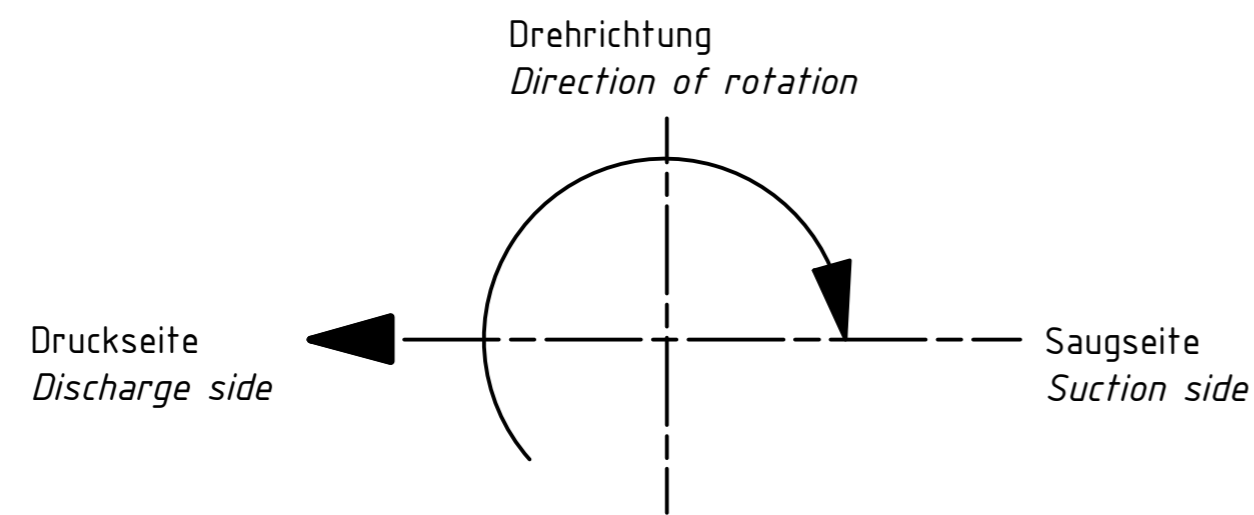
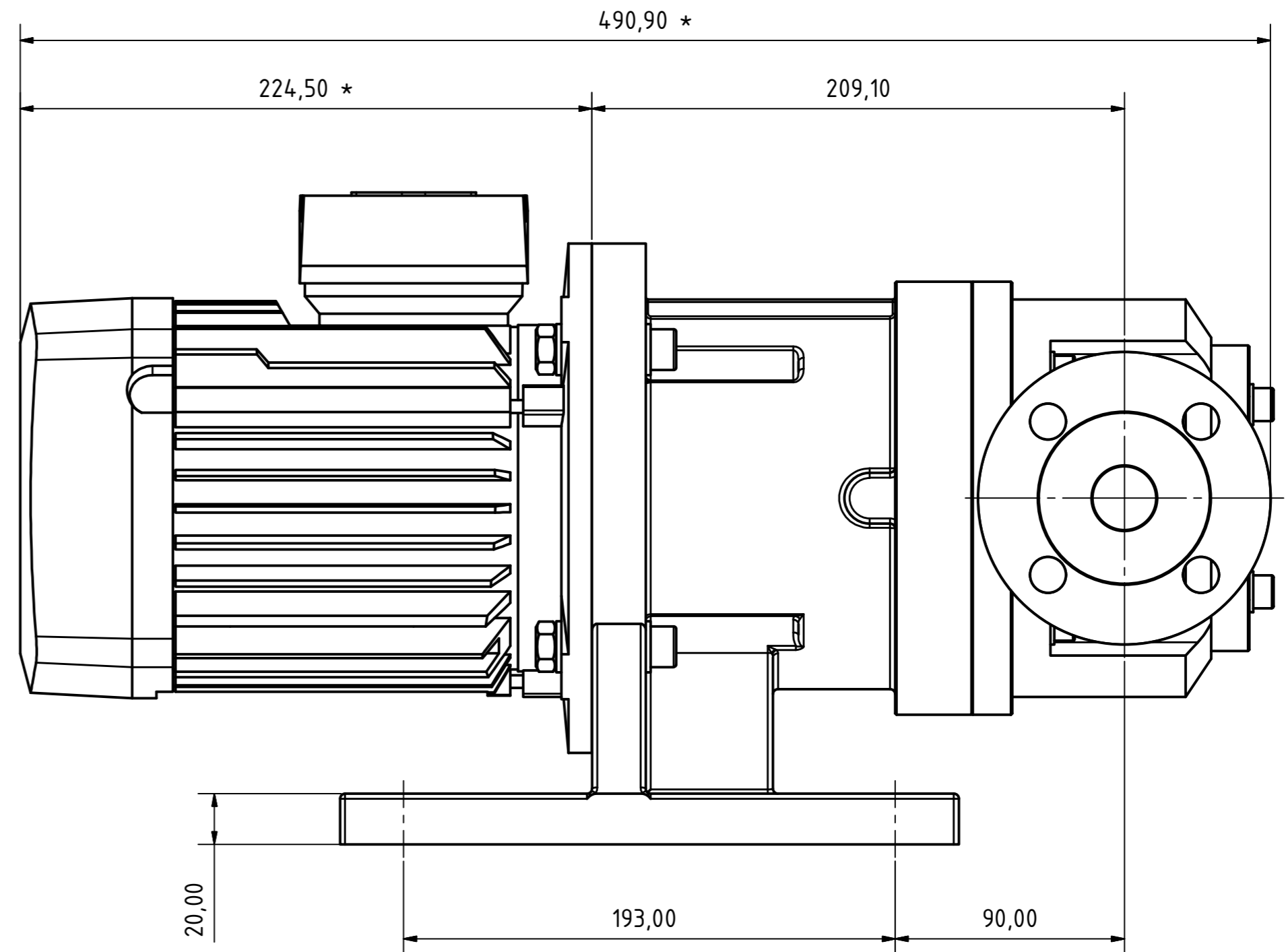
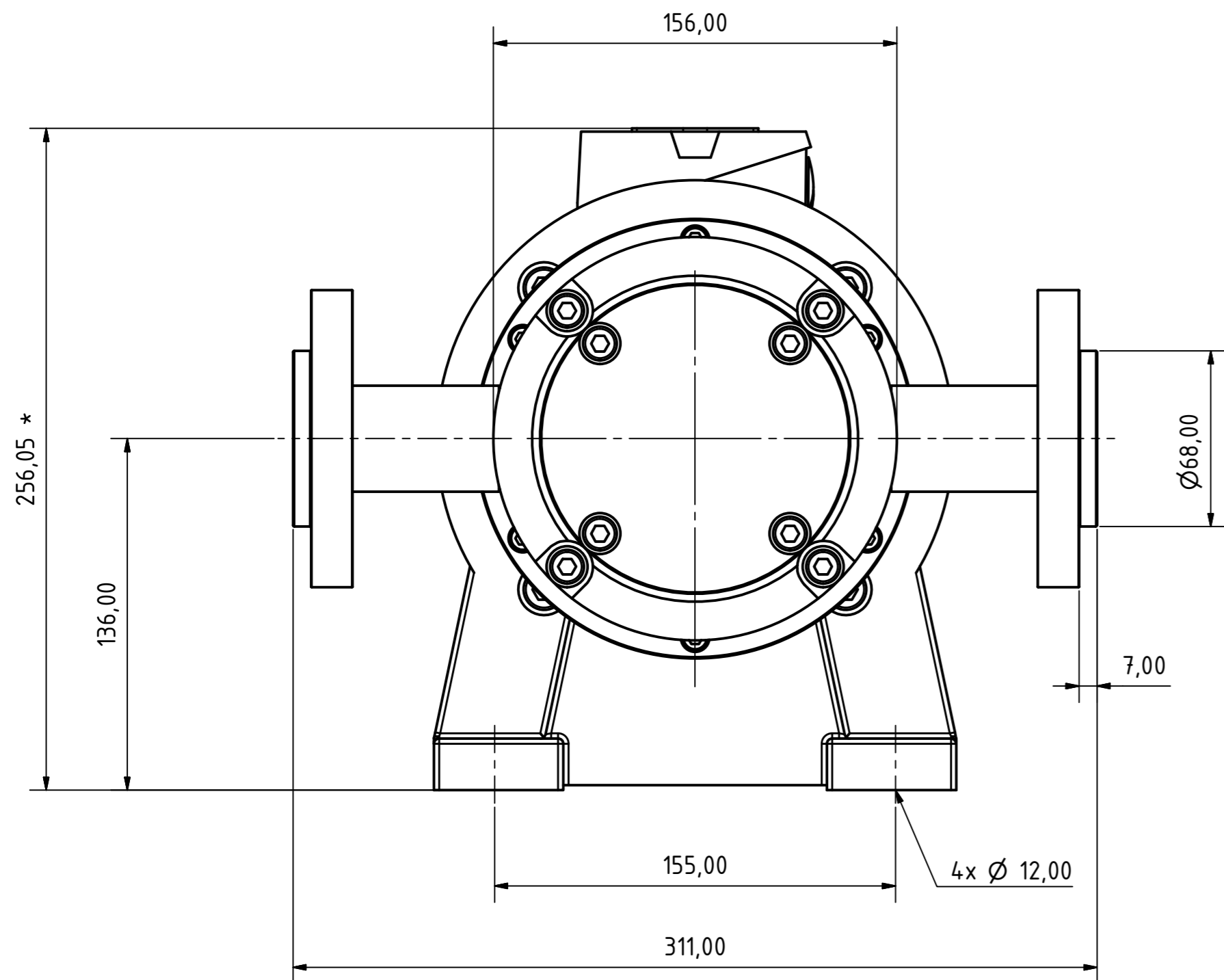
DRIVE
Explosion proof TEFC three phase asynchronous squirrel cage electric motor
acc. to IEC Standards
Manufacturer: Barterc Varnost
Size: IEC90 B5, 1,5kW, 1450 rpm

CONNECTIONS
1" BSP female
alternatively
Lap Joint Flange DN25 PN16-40



Alle Angaben unverbindlich, technische Änderungen vorbehalten! Technical data not binding and subject to change!
Copyright MARCH PUMPEN GmbH & Co.KG 2014

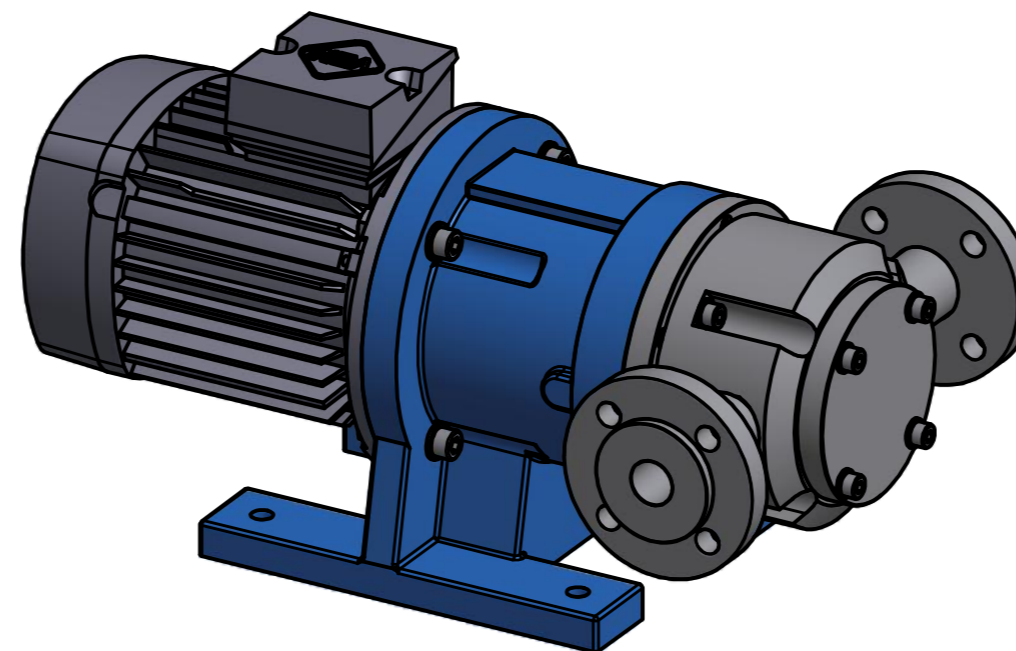
		MARCH PUMPEN GmbH Rätthausstraße 2 D-35394 Gießen Tel.: (+49) (0)641-686806-0 Fax.: (+49) (0)641-686806-60			1:2	Pump weight: 65kg
		Gezeichnet: 30.10.2019	Name: Lach	VANE-MAG MPA 3.2° Range SSR - IEC90 - 4KTC		
		Kontrolliert:		DPMA-1014.2-2414.2		
		Norm:				1 A2
Status	Änderungen	Datum	Name			



DIMENSIONS
in mm
* may change with different motor manufacturer

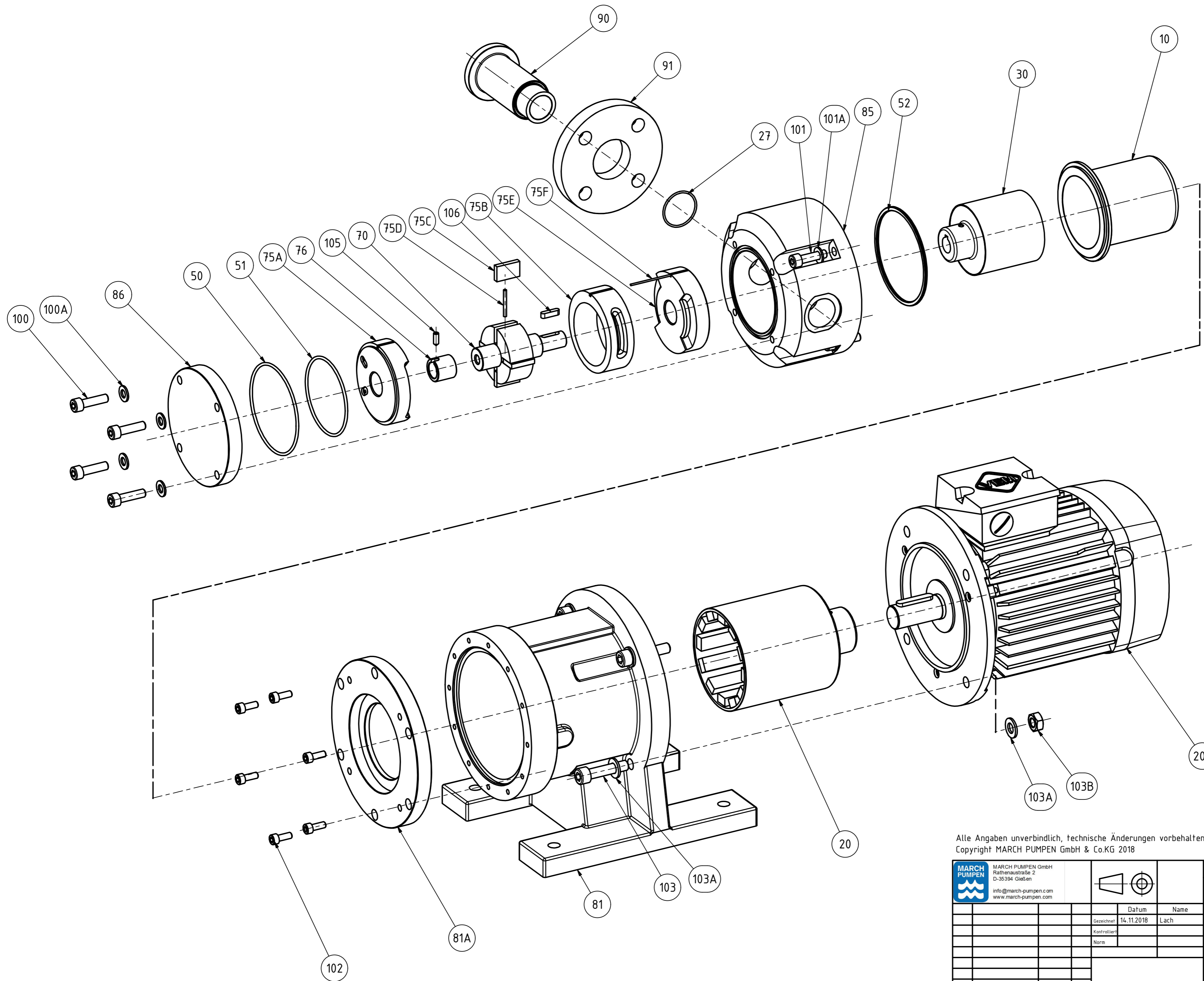
DRIVE
TEFC three phase asynchronous squirrel cage electric motor
acc. to IEC Standards
Manufacturer: VEM
Size: IEC90 B5, 1,5kW, 1450 rpm

CONNECTIONS
Lap Joint Flange DN25 PN16
or
1" BSP female


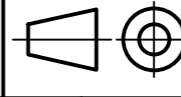


Alle Angaben unverbindlich, technische Änderungen vorbehalten! Technical data not binding and subject to change!
Copyright MARCH PUMPEN GmbH & Co.KG 2014

		MARCH PUMPEN GmbH Rätthausstraße 2 D-35394 Gießen Tel.: (+49) (0)641-686806-0 Fax.: (+49) (0)641-686806-60			1:2	Pump weight: 65kg	
		Datum 14.11.2018		Name Lach		VANE-MAG MPA3.2G Range SSF - IEC90 VEM	
		Gezeichnet		Kontrolliert		MPA3.2G_SSF_IEC90_VEM1	
		Norm				A2	
Status	Änderungen	Datum	Name				



Alle Angaben unverbindlich, technische Änderungen vorbehalten! Technical data not binding and subject to change!
 Copyright MARCH PUMPEN GmbH & Co.KG 2018

 MARCH PUMPEN GmbH Rätthausstraße 2 D-35394 Gießeln info@march-pumpen.com www.march-pumpen.com					
		Datum	Name	MPA3.2GRange SSF IEC90	
		Gezeichnet	Lach	GLEITSCHIEBERPUMPE / Sliding Vane Pump	
		Kontrolliert		Explosionsdarstellung / Explosionview	
		Norm			
				EXP_MPA3.2_SSF_IEC90	1
					A2
Status	Änderungen	Datum	Name		